



# SUESSEN Premium Parts

Spare Parts for SpinBox SE 8, SE 9, SE 10



Content / Inhalt / Índice / İçindekiler / Conteúdo / 目录	SE 8	SE 9	SE 10
SpinBox Cover / Verdeck / Tapa / Kapağı / Tampa / 纺纱箱外罩	8	26	44
Locking Device / Verriegelung / Dispositivo de bloqueo / Kilitleme Aygıtı / Dispositivo de bloqueio/ 锁紧装置	10	28	46
Opening Assembly Housing / Schwenkgehäuse / Cajilla oscilante / Açma Grubu Gövdesi (Yuvası) / Caixa giratória / 分梳套件箱	12	30	48
TwinDisc Bearing / TwinDisc-Lagerung / Cojinete TwinDisc / TwinDisc Yatak / Mancal TwinDisc / 双盘支撑轮轴承	16	34	54
Worm Gear Shaft / Schneckenwelle / Arbol de tornillo sin fin / Sonsuz Dişli Mili / Veio de sem-fins / 蜗轮轴	20	38	58
Tension Roller Assembly / Spannrollengehänge / Colgador de rodillo tensor / Temas Silindri Grubu / Suspensor de rolos tensores / 压辊固定架	22	40	60

For further information about spinning components and modernization please see our catalogue „SUESSEN Premium Parts for Autocoro Spinning Machines“ (SIP.0052). You can download the PDF file from our website „[www.suessen.com](http://www.suessen.com)“.

Alternatively, you are welcome to contact us for receiving a hard-copy via [mail@suessen.com](mailto:mail@suessen.com).

**Link:** <https://www.suessen.com/products/technical-documentation/rotor-spinning/premium-parts/spinning-components-for-autocoro-rotor-spinning-machines/brochures-leaflets/>



**Original spare parts from the manufacturer of the SpinBoxes SE 8/9/10/SC and SQ**

SUESSEN has developed and manufactured the SpinBoxes SE 7, SE 8, SE 9, SE 10, SC 1-M, SC 2-M and SQ 7/8/9/10. With SUESSEN Premium Parts only, clients can be sure that they receive the well-known original spare parts. SUESSEN is also capable of supplying components for production increase and quality improvement for the Autocoro machine.

Since the early sixties, SUESSEN has been intensely engaged in this spinning technology. SUESSEN innovations contributed considerably to the development of rotor spinning. The increase in rotor speeds up to 160,000 rpm has only been possible owing to the TwinDisc bearing and numerous other inventions by SUESSEN.

**Original-Ersatzteile vom Hersteller der SpinBoxen SE 8/9/10/SC und SQ**

SUESSEN hat die SpinBoxen SE 7, SE 8, SE 9, SE 10, SC 1-M, SC 2-M und SQ 7/8/9/10 entwickelt und hergestellt. Nur mit SUESSEN Premium Parts können Kunden sicher sein, die bekannten Original-Ersatzteile zu erhalten. SUESSEN liefert auch Umbauteile für die Autocoro Rotorspinnmaschine zur Produktionssteigerung und Qualitätsverbesserung.

Seit Anfang der 60er Jahre beschäftigt sich SUESSEN intensiv mit dem Open-End-Rotorspinnverfahren. Die Steigerung der Rotordrehzahlen auf bis zu 160.000 min<sup>-1</sup> war nur durch die SUESSEN TwinDisc-Lagerung und zahlreiche weitere Innovationen aus dem Hause SUESSEN möglich.

**Piezas de recambio originales del fabricante para SpinBoxes SE 8/9/10/SC y SQ**

SUESSEN ha desarrollado y fabricado todas las SpinBoxes SE 7, SE 8, SE 9, SE 10, SC 1-M, SC 2-M y SQ 7/8/9/10. Solamente con los „Premium Parts SUESSEN“, los clientes estarán seguros en el futuro de obtener las piezas de recambio originales bien conocidas. SUESSEN puede también suministrar para Autocoro los componentes de modernización para aumentar la producción y mejorar la calidad de los hilos.

Desde el principio de los años sesenta, SUESSEN está íntimamente asociado con esta tecnología de hilar. El aumento de las velocidades de rotores hasta 160.000 rpm solamente fue posible con el rodamiento TwinDisc y un gran número de otras innovaciones de SUESSEN.

**Componentes de fiação originais do fabricante dos SpinBox SE 8, 9, 10, SC e SQ**

A SUESSEN desenvolveu e fabricou as SpinBox SE 7, SE 8, SE 9, SE 10, SC1-M, SC 2-M e SQ 7/8/9/10. Com os componentes Premium Parts SUESSEN, os clientes receberão com certeza as reconhecidas peças de reposição originais. Além disso, a SUESSEN fornece componentes de modernização para um aumento da produção e para melhorar a qualidade de filatórios Open-End Autocoro.

Desde o início dos anos sessenta, a SUESSEN se encontra bastante envolvida na tecnologia da fiação. As inovações da SUESSEN contribuíram consideravelmente para o desenvolvimento da fiação OpenEnd. O aumento das velocidades dos rotores até 160.000 rpm apenas foi possível graças ao mancal TwinDisc e a outras invenções da SUESSEN.

**İmalatçı Firmadan SE/SC/SQ SpinBox için Orjinal Yedek Parçalar**

SUESSEN SE 7, SE 8, SE 9, SE 10, SC 1-M, SC 2-M ve SQ 7/8/9/10 SpinBox modellerini geliştirmiş ve imal etmiştir. Sadece SUESSEN Üstün Nitelikli Parçaları (orjinal isim: Premium Parts) ile müşteriler gelecekte sadece iyi bilinen orjinal yedek parça temin etmeye devam edeceklerinden emin olabilirler. SUESSEN artık Autocoro makinesi için üretim artışı ve kalite ıslahı ile ilgili modernizasyon için gerekecek tüm aksamı elemanlarını tedarik edebilecek durumdadır.

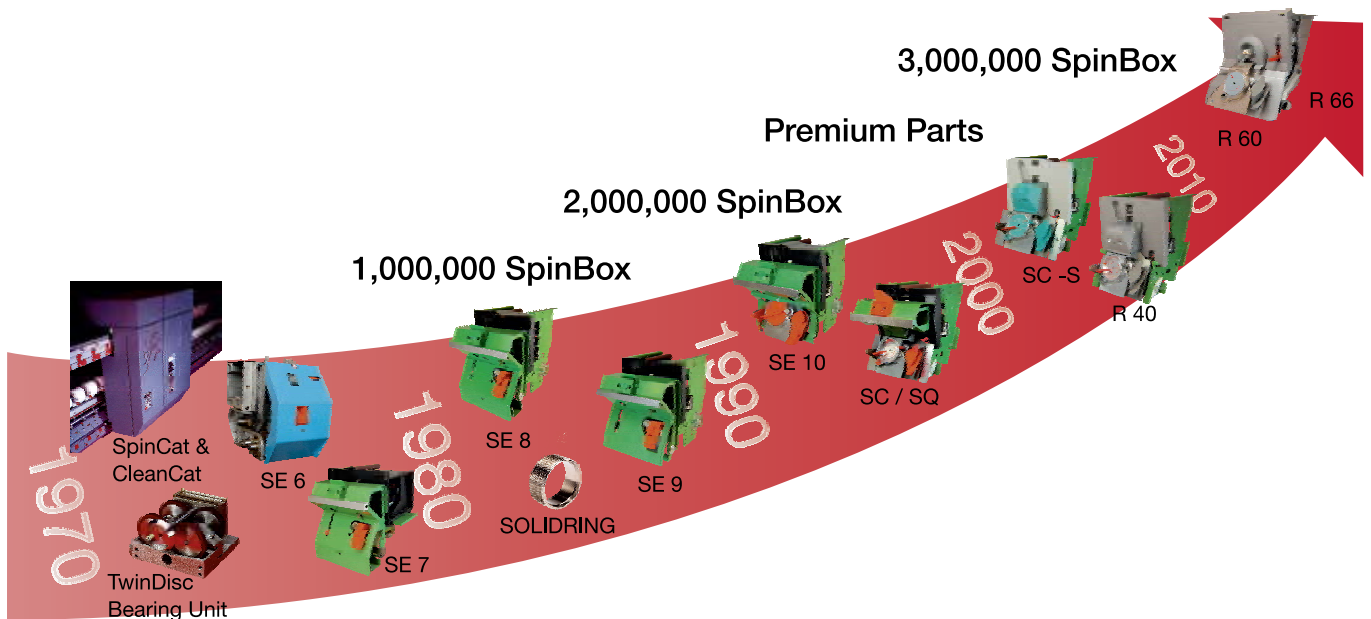
1960'lı yılların başından bu yana SUESSEN iplik bükme teknolojisi üzerinde önemle durmaktadır. SUESSEN yenilikleri rotor ile iplik bükme alanında elde edilen gelişmelere önemli ölçüde katkıda bulunmuştur. Zamanla rotor hızlarında 160.000 devir/dakikaya kadar elde edilen artış SUESSEN'in TwinDisc yatak ve çok sayıda diğer yenilikleri sayesinde mümkün olmuştur.

**SE 8/9/10/SC和SQ 纺纱箱的制造商生产的原装零配件**

SE 7, SE 8, SE 9, SE 10, SC 1-M和SC 2-M以及SQ 7/8/9/10 纺纱箱由绪森公司开发和生产。只有使用了绪森公司生产的优质零配件，客户才能体会到原装零配件广为人知的优良性能。绪森公司还供应Autocoro气流纺纱机的重要零配件，用于提高生产率和产品质量。

绪森公司对气流纺纱技术的开发研究始于上世纪60年代初，其取得的很多技术创新有力地推动了气流纺纱技术的发展和进步。正是由于绪森公司纺杯双盘支撑轴承和其他诸多发明的问世，使纺杯的转速可以提高至160,000转/分。

# SUESSEN – a Synonym for Competence in Open-End Spinning



Since the early sixties of the 20<sup>th</sup> century, SUESSEN has been intensively engaged in Open-End rotor spinning. SUESSEN has repeatedly given important impetus to rotor spinning by continuous innovation.

In 1971, SUESSEN presented the OE SpinBox with TwinDisc bearing at the Paris ITMA. This new bearing made rotor speeds of up to 80,000 rpm possible for the first time, while just 40,000 rpm could be achieved with direct bearings. Today, the TwinDisc bearing enables speeds up to 160,000 rpm, compared with 110,000 rpm as maximum speed possible with direct bearings.

1973: first SUESSEN SpinBox in Schubert & Salzer RU11 machine.

At the Milan ITMA in 1975, SUESSEN showed the first automatic rotor spinning machine with the SE 6 SpinBox and the CleanCat and SpinCat robots for automatic cleaning and piecing-up. This development was responsible for the industrial breakthrough of rotor spinning.

Between 1975 and 1999 SUESSEN developed and produced the SpinBoxes SE 7, SE 8, SE 9 and SE 10 exclusively for Schlafhorst Autocoro. Owing to the technological and technical improvements in the course of these years, the SE 9 SpinBox finally allowed rotor speeds of up to 130,000 rpm.

1984: Introduction of the new SOLIDRING that offers significant advantages over the conventional wire clothing.

1995: Delivery of the two millionth SpinBox for Autocoro rotor spinning machines.

1998: Introduction of the SQ and SC-M SpinBox generation for modernizing existing SE 7 to SE 10 SpinBox designs.

2000: SUESSEN established the Premium Parts product line and got into the spare parts business by supplying original spare parts for the SE 7 to SE 10, SC and SQ SpinBox generations.

2001: SUESSEN developed the SC-S SpinBox for the SAVIO Flexi-RotorS 3000/DuoSpinner rotor spinning machine.

2002: Market introduction of the SUESSEN SC-R SpinBox for the RIETER R40 rotor spinning machine.

2012: Market introduction of the SUESSEN S 60 SpinBox for the RIETER R60 rotor spinning machine.

2016: Market introduction of the SUESSEN S 66 SpinBox for the RIETER R66 rotor spinning machine.

To date, SUESSEN has manufactured and delivered over 3 million SpinBoxes.

Since the very start of the development, SUESSEN-WST have filed 284 patents in the rotor spinning sector.

With innovative SpinBox designs, the SpinBox automation and repeated new developments of high-end spinning accessories, SUESSEN has contributed to the current technical and technological state of rotor spinning.

## Premium Parts



In the year 2000, the Premium Parts product line was launched, enabling SUESSEN to enter the spare parts business as Original Spare Part Supplier for SE 7 to 10, SC and SQ SpinBox generations.

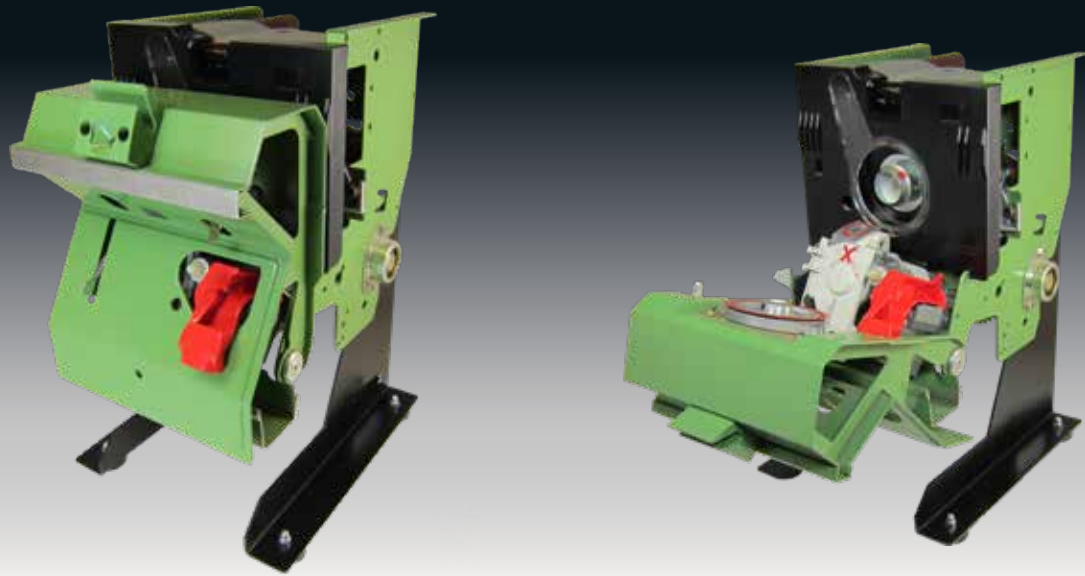
SUESSEN developed and manufactured for over 20 years the SE 7, 8, 9 and 10 SpinBoxes exclusively for Schlafhorst Autocoro, as well as the corresponding spinning accessories. We are therefore right to say we are the original spare parts supplier, and nobody knows the SpinBox better than we do.

The product line Premium Parts not only stands for the Original SpinBox spare parts for types SE 7, 8, 9, 10, SC and SQ, as well as for high-quality and innovative spinning accessories for these SpinBox types. We have made consequent use of our knowledge and experience, acquired with rotor spinboxes and modernization during almost 40 years, to extend our product portfolio successively by Premium Products “around the SpinBox“ and for subsequent SpinBox generations.

The customer benefit is given first priority in our development work. All our efforts in development and production of our Premium Parts components are aiming at enabling the customers to draw optimum benefit from our products with respect to yarn quality, efficiency, power saving and service life.

Premium Parts is not just spare parts. Trying to help our customers to solve their problems, we have developed quite some innovative packages for partial modernization offering solutions to different problems. The packages can be installed in existing Schlafhorst Autocoro machines to improve their efficiency, yarn quality and/or power saving. All packages for partial modernization have a very short payback period.

Please put your confidence in our long lasting experience and competence in rotor spinning and let us be your Premium supplier.

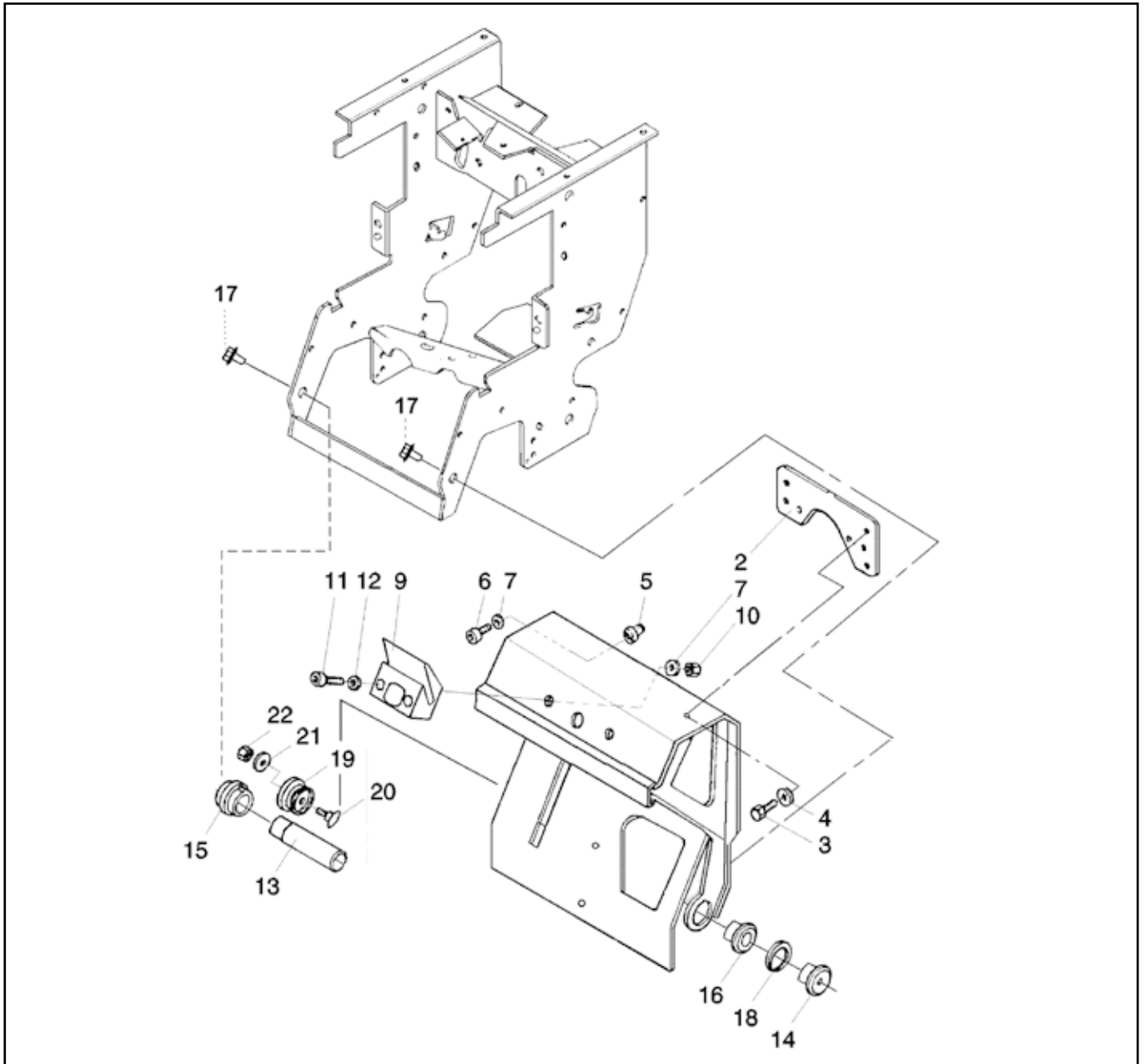


SpinBox SE 8

# SpinBox Cover / SpinBox Verdeck / SpinBox Tapa / SpinBox Tampa /SpinBox Kapağı / SpinBox 纺纱箱外罩

Pos.	Order No.*	Description	Beschreibung	Descripción	Descrição	Açıklama	名称
2	953.0611	Centering plate	Zentrierplatte	Placa de centraje	Placa de centragem	Merkezleme Plakası	对中板
3	201.0111	Hex. screw M 6 X 8	6kt-Schraube M 6 X 8	Tornillo hex M 6 X 8	Parafuso sextavado M 6 X 8	Altı köşe başlı civata M 6 X 8	六角螺钉
4	10258880	Cup spring 15/6.2x0.6	Tellerfeder 15/6.2x0.6	Resorte de plato 15/6.2x0.6	Mola prato 15/6.2x0.6	Tabla yayı 12/5.2x0.6	盘形弹簧
5	953.1865	Centering SE 8-10	Zentrierung SE 8-10	Centraje SE 8-10	Centragem SE 8-10	Merkezleme Parçası SE 8-10	对中垫块
6	10258824	Cyl. screw M5x10	Zyl. Schraube M5x10	Tornillo cil. M5x10	Parafuso de cabeça cilindr. M5x10	Silindirik vida M5x10	内六角螺钉
7	10258881	Cup spring 12/5.2x0.6	Tellerfeder 12/5.2x0.6	Resorte de plato 12/5.2x0.6	Mola prato 12/5.2x0.6	Tabla yayı 12/5.2x0.6	盘形弹簧
9	951.6947	Opener block SE 7-10/SQ	Öffnerstück SE 7-10/SQ	Pieza de apertura SE 7-10/SQ	Peça de abertura SE 7-10/SQ	Açma bloğu SE 7-10/SQ	纺纱箱开启扳动块
10	10258845	Hexagon nut M5-8	6kt-Mutter M5-8	Tuerca hexagonal M5-8	Porca sextavada M5-8	Altı köşe somun M5-8	六角头螺母
11	203.0314	Cyl. screw M5x20	Zyl. Schraube M5x20	Tornillo cil. M5x20	Parafuso de cabeça cilindr. M5x20	Silindirik vida M5x20	内六角螺钉
12	10258849	Washer 5.3-St-140HV	Scheibe 5.3-St-140HV	Arandela 5.3-St-140HV	Disco 5.3-St-140HV	Pul 5.3-St-100HV	垫圈
13	952.8045	Swivel pin L	Schwenkbolzen L	Perno giratorio L	Cavilha giratoria L	Döndürme pimi - sol	回转销子
14	953.2772	Swivel pin R	Schwenkbolzen R	Perno giratorio R	Cavilha giratoria R	Döndürme pimi - sağ	回转销子
15	952.7751	Bearing bushing left SE 8/9	Lagerbuchse links SE 8/9	Buje de cojinete izquierdo SE 8/9	Bucha do mancal esquerdo SE 8/9	Yatak kovani sol SE 8/9	轴承衬套 左
16	953.2773	Bearing bushing right SE 8-10	Lagerbuchse rechts SE 8-10	Buje de cojinete derecho SE 8-10	Bucha do mancal direito SE 8-10	Yatak kovani sağ SE 8-10	轴承衬套 右
17	289.3008	Hex. screw M6x18	6kt-Schraube M6x18	Tornillo hex M6x18	Parafuso sextavado M6x18	Altı köşe başlı civata M6x18	六角螺钉
18	953.6208	Compensating disc 22,5x29,7x0,3	Ausgleichscheibe 22,5x29,7x0,3	Disco compensador 22,5x29,7x0,3	Arruela de compensação 22,5x29,7x0,3	Dengeleme Rondelası 22,5x29,7x0,3	弹簧垫片
19	953.3146	Locking roll SE 8	Verriegelungsrolle SE 8	Rodillo de bloqueo SE 8	Rolo de bloqueio SE 8	Kilitleme bobini SE 8	锁紧辊 SE 8
20	953.3299	Eccenter bolt	Exzenterbolzen	Perno excéntrico	Pino excêntrico	Kam pimi	销子
21	10258882	Cup spring 18/6.2x0.8	Tellerfeder 18/6.2x0.8	Resorte de plato 18/6.2x0.8	Mola prato 18/6.2x0.8	Tabla yayı 18/6.2x0.8	盘形弹簧
22	10258844	Hexagon nut M6-8	6kt-Mutter M6-8	Tuerca hexagonal M6-8	Porca sextavada M6-8	Altı köşe somun M6-8	六角头螺母





# Locking Device / Verriegelung /

# Dispositivo de bloqueo / Dispositivo de bloqueio /

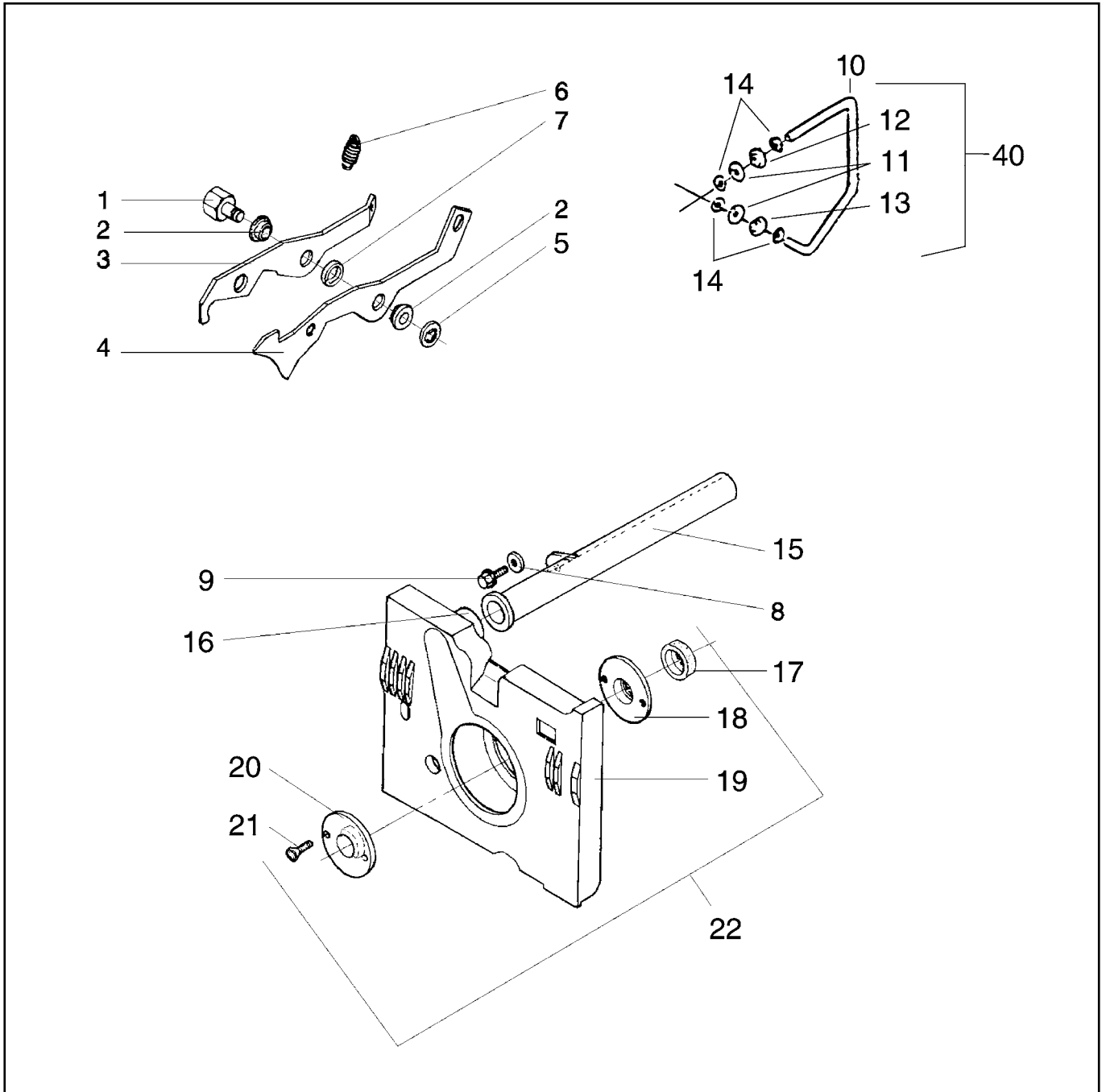
# Kilitleme Donanımı / 锁紧装置

Pos.	Order No.*	Description	Beschreibung	Descripción	Descrição	Açıklama	名称
1	952.7922	Brake lever stud	Bremshebel Bolzen	Palanca de freno perno	Alavanca de travão pino	Pim	销子
2	951.2586	Bearing bushing	Lagerbuchse	Buje de cojinete	Bucha do mancal	Yatak kovani	轴承衬套 左
3	953.1842	Lock lever	Verriegelungshebel	Palanca de bloqueo	Alavanca de bloqueio	Kilitleme kolu	插销
4	955.3660	Brake lever	Bremshebel	Palanca de freno	Alavanca de travão	Fren kolu	制动杆
5	226.0088	Locking disc 9	Sicherungsscheibe 9	Disco de seguro 9	Anilha de aperto 9	Kilitleme rondelasi 9	卡簧
6	952.7923	Blocking spring	Verriegelungsfeder	Muelle de bloqueo	Mola de bloqueio	Kilitleme yayı	联锁弹簧
7	951.2543	Distance disk SE 7	Distanzscheibe SE 7	Disco distanciador SE 7	Anel distanciador SE 7	Mesafe pulu SE 7	间距垫圈
8	10258853	Washer 5.3-St-100HV	Scheibe 5.3-St-100HV	Arandela 5.3-St-100HV	Disco 5.3-St-100HV	Pul 5.3-St-100HV	垫圈
9	289.1138	Hex. screw M5x12	6kt-Schraube M5x12	Tornillo hex M5x12	Parafuso sextavado M5x12	Altı köşe başlı civata M5x12	六角螺钉
10	953.9585	Brake bow	Bremsbügel	Estribo del freno	Estribo do freio	Fren tutucusu	制动弓形杆
11	953.4309	Washer 7,1 x 16 x 2	Scheibe 7,1 x 16 x 2	Arandela 7,1 x 16 x 2	Disco 7,1 x 16 x 2	Pul 7,1 x 16 x 2	垫圈
12	953.4308	Flange sleeve	Bundbuchse	Buje con collar	Bucha de colar	Burç	法兰套筒
13	953.5661	Flange sleeve green	Bundbuchse grün	Buje con collar verde	Bucha de colar verde	Burç / yeşil	法兰套筒
14	226.0068	Locking disc 6	Sicherungsscheibe 6	Disco de seguro 6	Anilha de aperto 6	Kilitleme rondelasi 6	卡簧
15	952.8182	Suction tube	Absaugrohr	Tubo de aspiracion	Tubo de aspiração	Emiş borusu	吸管
16	953.0738	Sealing ring SE 7-12/SC/SQ	Dichtring SE 7-12/SC/SQ	Anillo de junta SE 7-12/SC/SQ	Anel de vedação SE 7-12/SC/SQ	Sızdırmaz conta SE 7-12/SC/SQ	黑板后密封圈
17	953.3895	Seal collar SE 7/8/SQ8	Dichtmanschette SE 7/8/SQ8	Manguito hermetico SE 7/8/SQ8	Guarnição de vedação SE 7/8/SQ8	Conta SE 7/8/SQ8	黑板中心密封圈
18	953.3898	Washer SE 7/8/SQ8	Scheibe SE 7/8/SQ8	Arandela SE 7/8/SQ8	Disco SE 7/8/SQ8	Pul SE 7/8/SQ8	垫圈 SE 7/8/SQ8
19	955.5124	Rotor housing	Rotorgehäuse	Caja del rotor	Caixa de rotor	Rotor muhafazası	不含密封圈黑板
20	957.0631	Rotor seal SE 7/8/SQ8	Rotordichtung SE 7/8/SQ8	Junta del rotor SE 7/8/SQ8	Junta do rotor SE 7/8/SQ8	Rotor Contası SE 7/8/SQ8	转子密封 SE 7/8/SQ8
21	10758684	Counter sunk screw M5x8	Senkschraube M5x8	Tornillo embutido M5x8	Parafuso d.cabeça escareada M5x8	Gömme başlı Vida M5x8	沉头螺钉
21a <sup>2</sup>	957.0775	Air seal	Luftstaudichtung	Junta de aire	Anel de silicone	Hava contası	纺杯轴承座和密封套件
22 <sup>1</sup>	955.5125	Rotor housing complete SE 8	Rotorgehäuse komplett SE 8	Caja del rotor completo SE 8	Caixa de rotor completo SE 8	Rotor muhafazası komple SE 8	整套黑板
40 <sup>3</sup>	953.9583	Brake rod	Bremse Stange	Freno barra	Travão barra	Fren kolu	制动联动装置套件

<sup>1</sup> incl./包括序号 Pos. 16-21 /dahil

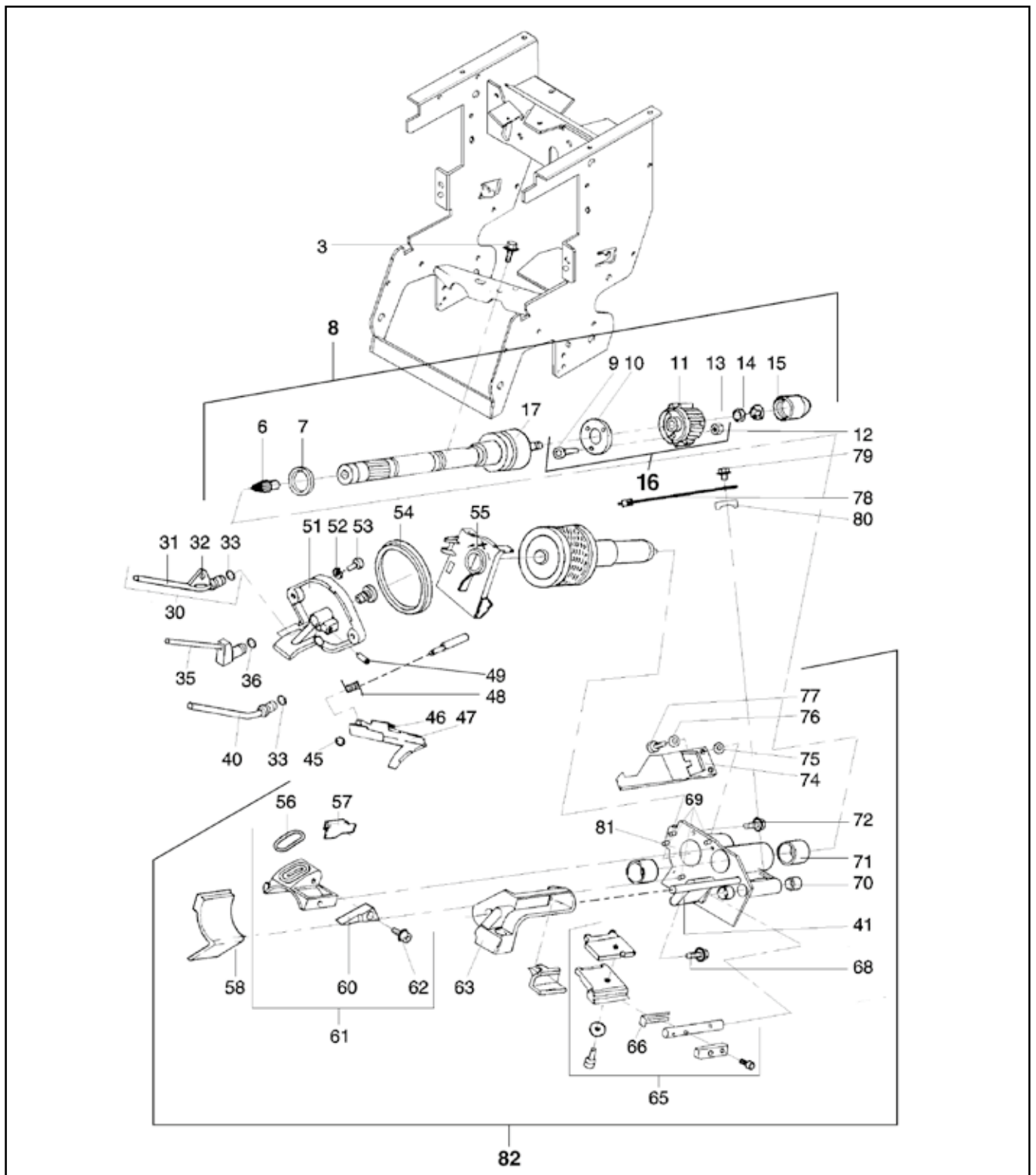
<sup>2</sup> incl./包括序号 Pos. 17, 18, 20, 21 /dahil

<sup>3</sup> incl./包括序号 Pos. 10-14 /dahil



# Opening Assembly Housing / Schwenkgehäuse / Cajilla oscilante / Caixa giratória / Açıcı Ünitesi Yuvası / 分梳套件箱

Pos.	Order No.*	Description	Beschreibung	Descripción	Descrição	Açıklama	名称
3	289.3008	Hex. screw M6x18	6kt-Schraube M6x18	Tornillo hex M6x18	Parafuso sextavado M6x18	Altı köşe başlı civata M6x18	六角螺钉
6	952.3024	Coupling cone SE 7-20	Kupplungskegel SE 7-20	Cono de acoplamiento SE 7-20	Cone de engrenagem SE 7-20	Kavrama konisi	驱动锥体
7	954.6213	Stop SE 8-10	Anschlag SE 8-10	Tope SE 8-10	Encosto SE 8-10	Durdurma SE 8-10	假捻器 SE 8-10
8 <sup>1</sup>	956.4823	Coupling gear SE 7-9	Kupplungstrieb SE 7-9	Unidad/mando/cil. aliment SE 7-9	Embreagem SE 7-9	Kavrama dişlisi SE 7-9	齿轮联轴节
9	289.2718	Oval head screw	Linsenschraube	Tornillo con cabeza de vaso	Parafuso de cab.lenticular	Yassı başlı vida	半圆头螺栓
10	955.0663	Armature plate SE 7-10/SC/SQ	Ankerscheibe SE 7-10/SC/SQ	Disco magnético SE 7-10/SC/SQ	Disco do induzido SE 7-10/SC/SQ	Armatür plakası	离合器磁片
11	958.6701	Worm gear SE 7-10/SQ	Schneckenrad SE 7-10/SQ	Rueda de tornillo sin fin SE 7-10/SQ	Roda sem fim SE 7-10/SQ	Besleme dişlisi SE 7-10/SQ	给棉齿轮
11a	10447234	Worm gear SE 7-10/SQ slub yarn device	Schneckenrad SE 7-10/SQ Effektgarnrichtung	Rueda de tornillo sin fin SE 7-10/SQ Dispositivo para hilos de fantasia	Roda sem fim SE 7-10/SQ Dispositivo para fios fantasia	Şantuk aparatı için Besleme dişlisi SE 7-10/SQ	竹节纱装置用给棉齿轮
12	10258843	Hexagon nut M3-8	6kt-Mutter M3-8	Tuerca hexagonal M3-8	Porca sextavada M3-8	Altı köşe somun M3-8	六角头螺母
13	952.7953	Washer 9,2x13,1x1,8 SE 7-10/SC/SQ	Scheibe 9,2x13,1x1,8 SE 7-10/SC/SQ	Arandela 9,2x13,1x1,8 SE 7-10/SC/SQ	Disco 9,2x13,1x1,8 SE 7-10/SC/SQ	Pul 9,2x13,1x1,8 SE 7-10/SC/SQ	垫圈
14	10258870	Locking disc 7	Sicherungsscheibe 7	Disco de seguro 7	Anilha de aperto 7	Kilitleme rondelasi 7	卡簧
15	951.1986	End cover SE 7-10/SC/SQ	Abschlussdeckel SE 7-10/SC/SQ	Tapa de cierre SE 7-10/SC/SQ	Tampa de fechamento SE 7-10/SC/SQ	Uç kapağı SE 7-10/SC/SQ	端盖
16 <sup>2</sup>	958.6891	Worm gear complete SE7/8/9/10/SQ	Schneckenrad komplett SE7/8/9/10/SQ	Rueda de tornillo sin fin completo SE7/8/9/10/SQ	Roda sem fim completo SE7/8/9/10/SQ	Şantuk aparatı için komple Besleme dişlisi SE 7-10/SQ	带磁片给棉齿轮
16a	10447236	Worm gear SE 7-10/SQ slub yarn device complete	Schneckenrad SE 7-10/SQ Effektgarnrichtung komplett	Rueda de tornillo sin fin SE 7-10/SQ para dispositivo de hilo de fantasia compl.	Roda sem fim SE 7-10/SQ para dispositivo para fios fantasia compl.	Besleme dişlisi komple SE7/8/9/10/SQ	竹节纱装置用带磁片式给棉齿轮
17	958.7820	Electromagnetic clutch	Elektromagnetkupplung	Acoplamiento elec. magnetico	Embraiagem magnetica electr	Elektromanyetik kavrama	电磁离合器
30	956.2114	Torque Stop green SE 7/8/9 / SC complete	Torque Stop grün SE 7/8/9 / SC komplett	Torque Stop verde SE 7/8/9 / SC completo	Torque Stop verde SE 7/8/9 / SC completo	Büküm Durdurucu, SE 7/8/9/SC yeşil komple	绿色假捻器带引纱管整套
30	956.2115	Torque Stop red SE 7/8/9 / SC complete	Torque Stop rot SE 7/8/9 / SC komplett	Torque Stop rojo SE 7/8/9 / SC completo	Torque Stop vermelho SE 7/8/9 / SC completo	Büküm Durdurucu, SE 7/8/9/SC kırmızı komple	红色假捻器带引纱管整套
30	956.2654	Torque Stop black SE 7/8/9 / SC complete	Torque Stop schwarz SE 7/8/9 / SC komplett	Torque Stop negro SE 7/8/9 / SC completo	Torque Stop preto SE 7/8/9 / SC completo	Büküm Durdurucu, SE 7/8/9/SC siyah komple	黑色假捻器带引纱管整套
30	956.2762	Torque Stop white SE 7/8/9 / SC complete	Torque Stop weiß SE 7/8/9 / SC komplett	Torque Stop blanco SE 7/8/9 / SC completo	Torque Stop branco SE 7/8/9 / SC completo	Büküm Durdurucu, SE 7/8/9/SC beyaz komple	白色假捻器带引纱管整套
31 <sup>3</sup>	956.3697	Take-off tube complete TS30 SE 7-9/SC/SQ	Abzugsrohr komplett TS30 SE 7-9/SC/SQ	Tubo de salida completo TS30 SE 7-9/SC/SQ	Tubo de entrega completo TS30 SE 7-9/SC/SQ	Komple çıkış borusu TS30 SE 7-9/SC/SQ	陶瓷引纱管整套
32	957.5120	Torque Stop Clip green SE 7-10/SC/SQ	Torque Stop Clip grün SE 7-10/SC/SQ	Torque Stop Clip verde SE 7-10/SC/SQ	Torque Stop Clip verde SE 7-10/SC/SQ	Büküm durdurucu klipsi, yeşil SE 7-10/SC/SQ	假捻器夹绿色
32	957.5122	Torque Stop Clip red SE 7-10/SC/SQ	Torque Stop Clip rot SE 7-10/SC/SQ	Torque Stop Clip rojo SE 7-10/SC/SQ	Torque Stop Clip vermelho SE 7-10/SC/SQ	Büküm durdurucu klipsi, kırmızı SE 7-10/SC/SQ	假捻器夹红色
32	957.5121	Torque Stop Clip black SE 7-10/SC/SQ	Torque Stop Clip schwarz SE 7-10/SC/SQ	Torque Stop Clip negro SE 7-10/SC/SQ	Torque Stop Clip preto SE 7-10/SC/SQ	Büküm durdurucu klipsi, siyah SE 7-10/SC/SQ	假捻器夹黑色
32	957.5123	Torque Stop Clip white SE 7-10/SC/SQ	Torque Stop Clip weiss SE 7-10/SC/SQ	Torque Stop Clip blanco SE 7-10/SC/SQ	Torque Stop Clip branco SE 7-10/SC/SQ	Büküm durdurucu klipsi, beyaz SE 7-10/SC/SQ	假捻器夹白色
33	954.0948	O-ring SE 7-9/SC/SQ	O-Ring SE 7-9/SC/SQ	Anillo-O SE 7-9/SC/SQ	Anel "O" SE 7-9/SC/SQ	O- bileziği SE 7-9/SC/SQ	O型密封圈
35 <sup>4</sup>	953.6435	Take-off tube complete TS37 SE 7-9/SC/SQ	Abzugsrohr komplett TS37 SE 7-9/SC/SQ	Tubo de salida completo TS37 SE 7-9/SC/SQ	Tubo de entrega completo TS37 SE 7-9/SC/SQ	Komple çıkış borusu TS37 SE 7-9/SC/SQ	陶瓷引纱管整套
36	294.0113	O-ring TS 37 SE 7-9/SC/SQ	O-Ring TS 37 SE 7-9/SC/SQ	Anillo-O TS 37 SE 7-9/SC/SQ	Anel "O" TS 37 SE 7-9/SC/SQ	O- bileziği TS 37 SE 7-9/SC/SQ	O型密封圈
40 <sup>5</sup>	<del>952.0360</del>	Take-off tube complete SE 7-9/SC/SQ	Abzugsrohr komplett SE 7-9/SC/SQ	Tubo de salida completo SE 7-9/SC/SQ	Tubo de entrega completo SE 7-9/SC/SQ	Komple çıkış borusu SE 7-9/SC/SQ	陶瓷引纱管整套
41	953.6363	Cleaning wall, polished	Reinigungswand, poliert	Pared de limpieza, pulida	Lateral de limpeza	Temizleme duvar, parlatılmış	清洁墙



<sup>1</sup> incl./包括序号 Pos. 6, 7, 9-15 /dahil

<sup>2</sup> incl./包括序号 Pos. 9-12 /dahil

<sup>3</sup> incl./包括序号 Pos. 33 /dahil

<sup>4</sup> incl./包括序号 Pos. 36 /dahil

<sup>5</sup> No longer available; alternative product TorqueStop green complete 956.2114

Nicht mehr verfügbar; Alternativproduct TorqueStop grün komplett 956.2114

Ya no se vende; alternativa: TorqueStop verde completo 956.2114

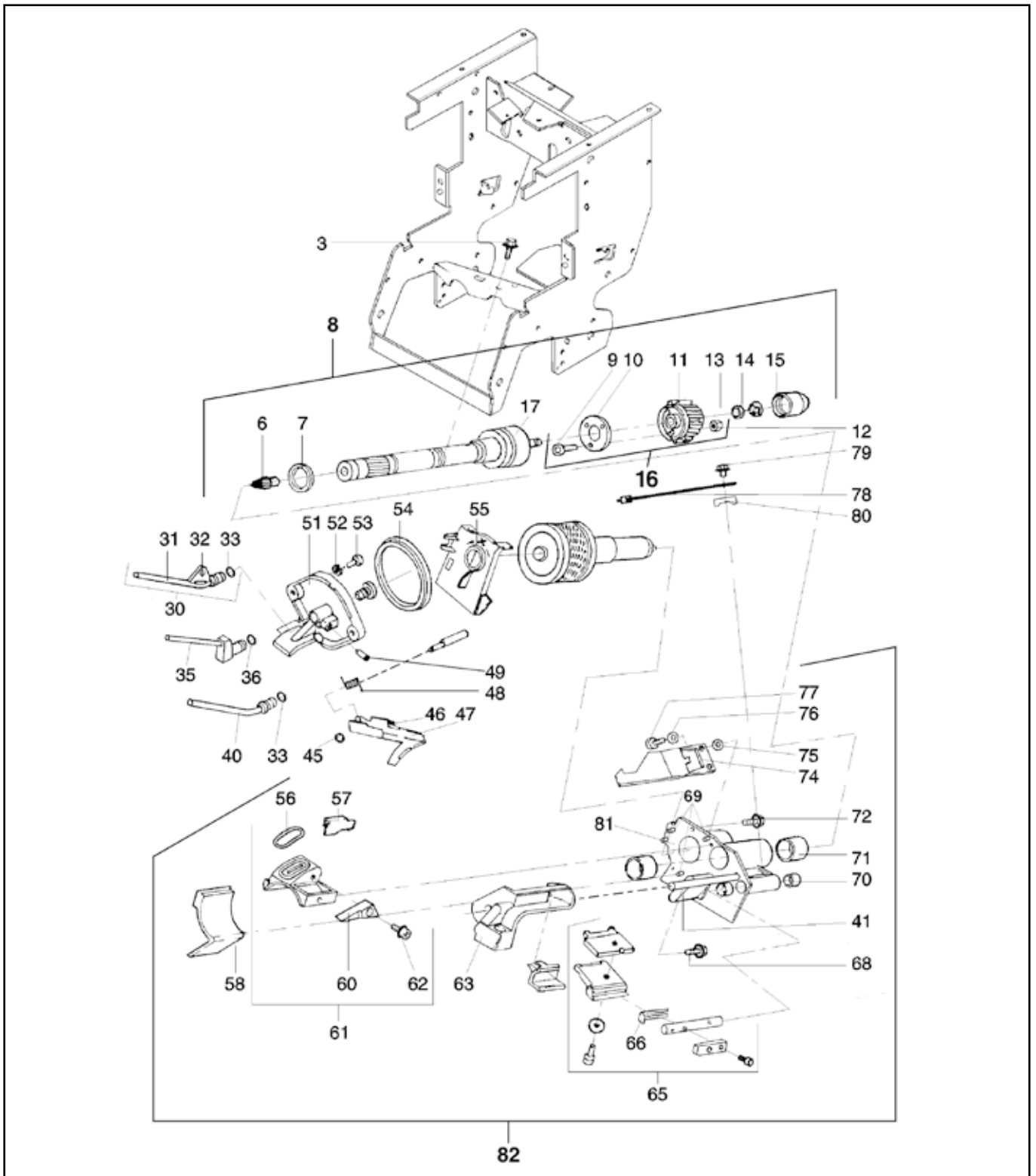
Não mais disponível; alternativa: TorqueStop verde completo 956.2114

Artık mevcut değil; alternatif: büküm durdurucu yeşil komple 956.2114

不再供应, 替代产品绿色假捻器整套 956.2114

# Opening Assembly Housing / Schwenkgehäuse / Cajilla oscilante / Caixa giratória / Açıcı Ünitesi Yuvası / 分梳套件箱

Pos.	Order No.*	Description	Beschreibung	Descripción	Descrição	Açıklama	名称
45	10259650	Locking disc 3.2	Sicherungsscheibe 3.2	Disco de seguro 3.2	Anilha de aperto 3.2	Kilitleme rondelasi 3.2	卡簧
46	953.8600	Sealing plate SE 7-10/SQ	Dichtungsplatte SE 7-10/SQ	Placa de obturación SE 7-10/SQ	Placa de junta SE 7-10/SQ	Conta plakası SE 7-10/SQ	密封板
47	953.8419	Valve lever	Ventil Hebel	Valvula palanca	Vavula alavanca	Valf kolu	阀杆
48	953.8601	Leg spring SE 7-9/SC/SQ	Schenkelfeder SE 7-9/SC/SQ	Resorte SE 7-9/SC/SQ	Mola de torção SE 7-9/SC/SQ	Ayaklı yay SE 7-9/SC/SQ	支柱弹簧
49	956.1089	Trunnion screw SE 7-9	Zapfenschraube SE 7-9	Tornillo de pivote SE 7-9	Parafuso de munhão SE 7-9	Mil civatasi SE 7-9	螺钉
51 <sup>3</sup>		Channel plates	Kanalplatten	Placas de canal	Placas do canal	Kanal Plakaları	阻捻盘和阻捻盘结合器
52	225.0031	Spring ring 6	Federring 6	Anillo de resorte 6	Arruela de pressão 6	Esnek halka 6	弹簧圈
53	203.0635	Cyl. screw M6X10	Zyl. Schraube M6X10	Tornillo cil. M6X10	Parafuso de cabeça cilindr. M6X10	Silindirik vida M6X10	内六角螺钉
54	954.1059	Sealing ring SE 7-10	Dichtring SE 7-10	Anillo de junta SE 7-10	Anel de vedação SE 7-10	Sızdırmaz conta SE 7-10	密封环
55	952.8839	Cover plate SE 7/8	Abdeckplatte SE 7/8	Placa de cubierta SE 7/8	Placa de cobertura SE 7/8	Kapak levhası SE 7/8	盖板
56	952.6756	Sealing ring fibre channel SE 7-10/SQ	Dichtring Faserkanal SE 7-10/SQ	Anillo de junta canal de fibras SE 7-10/SQ	Anel de vedação canal das fibras SE 7-10/SQ	Sızdırmaz bilezik elyaf kanalı SE 7-10/SQ	纤维通道密封环
57	10695517	Guiding plate	Leitblech	Chapa de guia	Chapa de guia	Rehber Plakası	导板
58	953.3832	Side wall SE 7/8	Seitenwand SE 7/8	Pared lateral SE 7/8	Parede lateral SE 7/8	Yan Duvar SE 7/8	侧板
60	954.8526	Sliding piece SE 7-9	Gleitstück SE 7-9	Pieza de deslizamiento SE 7-9	Peça de deslize SE 7-9	Kayıcı parça SE 7-9	滑块
61 <sup>1</sup>	956.4818	Fibre channel complete SE 7/8	Faserkanal komplett SE 7/8	Canal de fibras completo SE 7/8	Canal das fibras completo SE 7/8	Elyaf kanalı komple SE 7/8	纤维通道 整件
62	289.2546	Cyl. screw M5 x 16	Zyl. Schraube M5 x 16	Tornillo cil. M5 x 16	Parafuso de cabeça cilindr. M5 x 16	Silindirik vida M5 x 16	内六角螺钉
63	958.6861	Condenser SE 7-9	Verdichter SE 7-9	Condensador SE 7-9	Condensador SE 7-9	Şerit rehberi SE 7-9	集束器
65	958.7319	Feed tray	Speisemulde	Mesa de alimentación	Mesa de alimentação	Besleme tablası	喂料托盘
66	954.0033	Spacer plate 0.4	Distanzblech 0,4	Placa distanciadora 0,4	Chapa de espaçamento	Ara parçası 0.4	调距横板
68	289.2546	Cyl. screw M5 x 16	Zyl. Schraube M5 x 16	Tornillo cil. M5 x 16	Parafuso de cabeça cilindr. M5 x 16	Silindirik vida M5 x 16	内六角螺钉
69	232.0170	Cylindrical pin 5m6x10	Zylinderstift 5m6x10	Barrita de cilindro 5m6x10	Pino cilindrico 5m6x10	Silindirik pim 5m6x10	圆柱型销子
70	10356245	Bushing 12/14x8-Iglidur-G	Buchse 12/14x8-Iglidur-G	Buje 12/14x8-Iglidur-G	Bucha 12/14x8-Iglidur-G	Burç 12/14x8-Iglidur-G	衬套
71	954.1515	Bushing 25x28x12	Buchse 25x28x12	Buje 25x28x12	Bucha 25x28x12	Burç 25x28x12	衬套
72	289.2546	Cyl. screw M5 x 16	Zyl. Schraube M5 x 16	Tornillo cil. M5 x 16	Parafuso de cabeça cilindr. M5 x 16	Silindirik vida M5 x 16	内六角螺钉
74	953.1730	Spring clip	Klemmfeder	Muelle de sujeción	Mola	Yaylı klips	弹簧片夹
75	10258850	Washer 6.4-St-140HV	Scheibe 6.4-St-140HV	Arandela 6.4-St-140HV	Disco 6.4-St-140HV	Pul 6.4-St-100HV	垫圈
76	225.0030	Spring ring B 5	Federring B 5	Anillo de resorte B 5	Arruela de pressão B 5	Esnek halka B 5	弹簧圈
77	10258824	Cyl. screw M5x10	Zyl. Schraube M5x10	Tornillo cil. M5x10	Parafuso de cabeça cilindr. M5x10	Silindirik vida M5x10	内六角螺钉
78	952.9491	Weighting spring	Belastungsfeder	Muelle de presión	Mola tensora	Baskı yayı	加压弹簧片
79	289.2546	Cyl.screw M5 x 16	Zyl. Schraube M5 x 16	Tornillo cil. M5 x 16	Parafuso de cabeça cilindr. M5 x 16	Silindirik vida M5 x 16	内六角螺钉
80	953.8050	Pressure piece	Druckstück	Pieza de presión	Peça de pressão	Baskı parçası	压力块
81	953.3810	Opening-roller housing with pin	Schwenkgehäuse mit Stift	Caja oscilante con perno	Caixa giratória com pino	Açıcı ünite yuvası	分梳套件箱
82 <sup>2</sup>	10167922	Opening assembly housing complete with WCCO fibre channel	Schwenkgehäuse komplett mit WCCO Faserkanal	Cajilla oscilante completa con canal de fibra WCCO	Caixa giratória completa com canal de fibras WCCO	Açıcı ünitesi yuvası ve elyaf kanalı WCCO	带WCCO纤维通道的Z型分梳套件箱



<sup>1</sup> incl./包括序号 Pos. 56, 57, 60, 62 /dahil

<sup>2</sup> incl./包括序号 Pos. 56-72, 81 /dahil

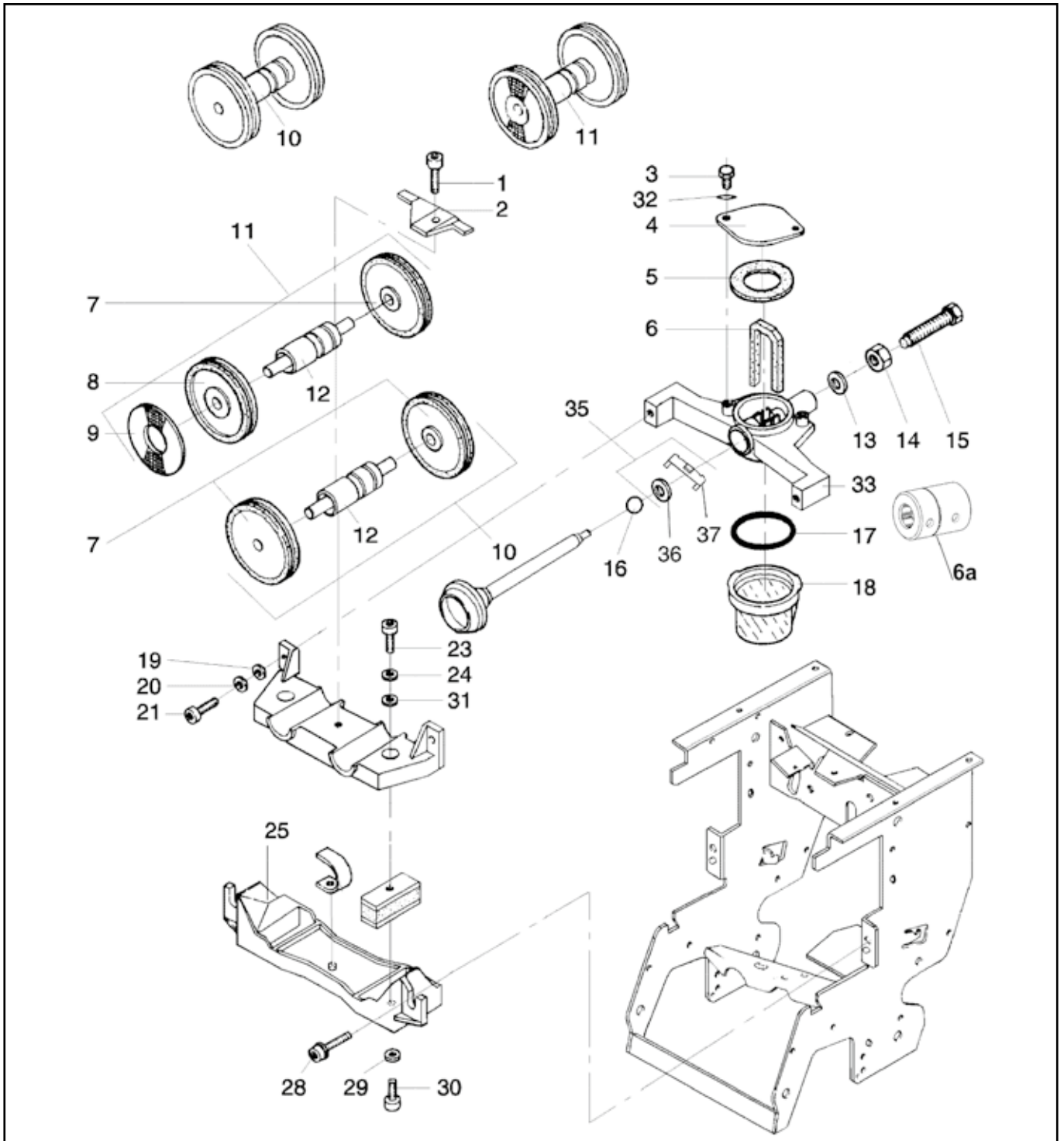
<sup>3</sup> See brochure "SUESSEN Premium Parts for Autocoro Spinning Machines" No. SIP.0052

<sup>3</sup> 请参考"应用于Autocoro转杯纺纱机绪森优质专件"的样本No. SIP.0052

# TwinDisc Bearing / TwinDisc-Lager / Cojinete TwinDisc Mancal TwinDisc / TwinDisc yatağı / 双支撑轮轴承

Pos.	Order No.*	Description	Beschreibung	Descripción	Descrição	Açıklama	名称
1	10258826	Cyl. screw M6x18	Zyl. Schraube M6x18	Tornillo cil. M6x18	Parafuso de cabeça cilindr. M6x18	Silindirik vida M6x18	内六角螺钉
2	952.8504	Tension spring	Spannfeder	Resorte tensor	Mola esticadora	Germe yayı	拉伸弹簧
3	10258912	Cyl. screw M5x12	Zyl. Schraube M5x12	Tornillo cil. M5x12	Parafuso de cabeça cilindr. M5x12	Silindirik vida M5x12	内六角螺钉
4	952.8510	Lid thrust-bearing housing SE 8	Deckel Spurlagergehäuse SE 8	Chapa carcasa de la quicionera SE 8	Tampa caixa de mancal de apoio SE 8	Dip yatağı muhafazası kapağı SE 8	止推轴承 外盖
4a	958.3463	Lid thrust-bearing housing SQ 8	Deckel Spurlagergehäuse SQ 8	Chapa carcasa de la quicionera SQ 8	Tampa caixa de mancal de apoio SQ 8	Dip yatağı muhafazası kapağı SQ 8	止推轴承 外盖
5	952.8511	Seal SE 8	Dichtung SE 8	Junta SE 8	Vedação SE 8	Conta SE 8	密封 SE 8
6	956.2594	Oil felt saturated SE 8-10 24 pcs.	Öl-Filz getränkt SE 8-10 24 St.	Filtro impregnado SE 8-10 24 pzs.	Feltro impregnado SE 8-10 24 pcs.	Yağ keçesi doygun SE 8-10 24 adet	油毡条,每盒24件
6a	10324794	<b>ProFil</b> ®Cartridge SE 7/8/SQ8 packing unit 24 pcs.	<b>ProFil</b> ®Cartridge SE 7/8/SQ8 Verpackungseinheit 24St	<b>ProFil</b> ®Cartridge SE 7/8/SQ8 unidad the quicionera SQ 8	<b>ProFil</b> ®Cartridge SE 7/8/SQ8 unidade de embalagem 24 pcs.	<b>ProFil</b> ®Cartridge SE 7/8/SQ8 (24 adet)	<b>ProFil</b> ®纺杯尾部黄油止推轴承底座每盒24件
7	958.6841	TwinDisc N SE 8/SQ8 with 2 cooling grooves	TwinDisc N SE 8/SQ8 mit 2 Kühlnuten	TwinDisc N SE 8/SQ8 con 2 ranuras de refrigeración	TwinDisc N SE 8/SQ8 com 2 ranhuras de refrigeração	TwinDisc N SE 8/SQ8 ve 2 soğutma kanallı	双冷却槽普通N型支撑轮
8	958.6842	TwinDisc R SE 8/SQ8 2 Cooling Grooves	TwinDisc R SE 8/SQ8 mit 2 Kühlnuten	TwinDisc R SE 8/SQ8 con 2 ranuras de refrigeración	TwinDisc R SE 8/SQ8 com 2 ranhuras de refrigeração	TwinDisc R SE 8/SQ8 ve 2 soğutma kanallı	双冷却槽反光片式R型支撑轮
8a	10586713	TwinDisc L SE 8 2 Cooling Grooves	TwinDisc L SE 8 mit 2 Kühlnuten	TwinDisc L SE 8 con 2 ranuras de refrigeración	TwinDisc L SE 8 com 2 ranhuras de refrigeração	TwinDisc L SE 8 ve 2 soğutma kanallı	支撑轮片L
9	10147672	<b>ProFil</b> ®Reflector SE 7-12/SC/SQ	<b>ProFil</b> ®Reflektor SE 7-12/SC/SQ	<b>ProFil</b> ®Reflector SE 7-12/SC/SQ	<b>ProFil</b> ®Reflektor SE 7-12/SC/SQ	<b>ProFil</b> ®Reflektör SE 7-12/SC/SQ	<b>ProFil</b> ® 红色反光片
10 <sup>1</sup>	958.6835	TwinDisc roll N SE 8/SQ8 2 Cooling Grooves	TwinDisc Rolle N SE 8/SQ8 mit 2 Kühlnuten	TwinDisc rodillo N SE 8/SQ8 con 2 ranuras de refrigeración	TwinDisc rolo N SE 8/SQ8 com 2 ranhuras de refrigeração	TwinDisc yatak N SE 8/SQ8 ve 2 soğutma kanallı	带轴承的双普通支撑轮组件
11 <sup>2</sup>	958.6836	TwinDisc roll R SE 8/SQ8 with 2 cooling grooves	TwinDisc Rolle R SE 8/SQ8 mit 2 Kühlnuten	TwinDisc rodillo R SE 8/SQ8 con 2 ranuras de refrigeración	TwinDisc rolo R SE 8/SQ8 com 2 ranhuras de refrigeração	TwinDisc yatak R SE 8/SQ8 ve 2 soğutma kanallı	带轴承的反光片式加普通式支撑轮组件
11a <sup>3</sup>	10913318	TwinDisc roll L SE 8/SQ8 with 2 cooling grooves	TwinDisc Rolle L SE 8/SQ8 mit 2 Kühlnuten	TwinDisc rodillo L SE 8/SQ8 con 2 ranuras de refrigeración	TwinDisc rolo L SE 8/SQ8 com 2 ranhuras de refrigeração	TwinDisc yatak L SE 8/SQ8 ve 2 soğutma kanallı	带轴承的反光片式加普通式支撑轮组件
12	952.6058	TwinDisc bearing SE 8/SQ8 291-6	TwinDisc Lager SE 8/SQ8 291-6	TwinDisc cojinete SE 8/SQ8 291-6	TwinDisc mancal SE 8/SQ8 291-6	TwinDisc rulmanı SE 9-12/SC/SQ9	TwinDisc 轴承 SE 8/SQ8 291-6
13	10258851	Washer 10.5-St-140HV	Scheibe 10.5-St-140HV	Arandela 10.5-St-140HV	Disco 10.5-St-140HV	Pul 10.5-St-140HV	垫圈
14	10258846	Hexagon nut M10x1-6	6kt-Mutter M10x1-6	Tuerca hexagonal M10x1-6	Porca sextavada M10x1-6	Altı köşe somun M10x1-6	六角头螺母
15	10480052	Adjustment spindle SE 7/8/SQ8	Einstellschraube SE 7/8/SQ8	Tornillo de ajuste SE 7/8/SQ8	Parafuso de ajuste SE 7/8/SQ8	Ayar iği SE 7/8/SQ8	校准螺栓
16	247.0382	Ball 12 mm SE 7-10	Kugel 12 mm SE 7-10	Bola 12 mm SE 7-10	Esfera 12 mm SE 7-10	Bilya 12 mm SE 7-10	钢珠
17	954.0362	O-ring	O-Ring	Anillo-O	Anel "O"	O-Bilezik	O型密封圈
18	953.8095	Oil container	Ölbehälter	Depósito de aceite	Recipiente de oleo	Yağ haznesi	油杯
19	10091482	Washer 5.3	Scheibe 5.3	Arandela 5.3	Disco 5.3	Pul 5.3	垫圈
20	954.5667	Cup spring	Tellerfeder	Resorte de plato	Mola prato	Tabla yayı	盘形弹簧
21	289.2193	Cyl. screw M5x55	Zyl. Schraube M5x55	Tornillo cil. M5x55	Parafuso de cabeça cilindr. M5x55	Silindirik vida M5x55	内六角螺钉
23	289.2192	Pan-head screw M 6 X 25	Zylinderschraube M 6 X 25	Tornillo de cab. cilindr. M 6 X 25	Parafuso/cab. cilíndrica M 6 X 25	Silindirik vida M 6 X 25	轴承支架
24	10258882	Cup spring 18/6.2x0.8	Tellerfeder 18/6.2x0.8	Resorte de plato 18/6.2x0.8	Mola prato 18/6.2x0.8	Tabla yayı 18/6.2x0.8	盘形弹簧
25	952.8505	Cross head	Traverse	Travesano	Travessa	Traverse	盘形弹簧片
28	289.1138	Hex. screw M5x12	6kt-Schraube M5x12	Tornillo hex M5x12	Parafuso sextavado M5x12	Altı köşe başlı civata M5x12	横动块





<sup>1</sup> incl./包括序号 Pos. 7, 12 /dahil

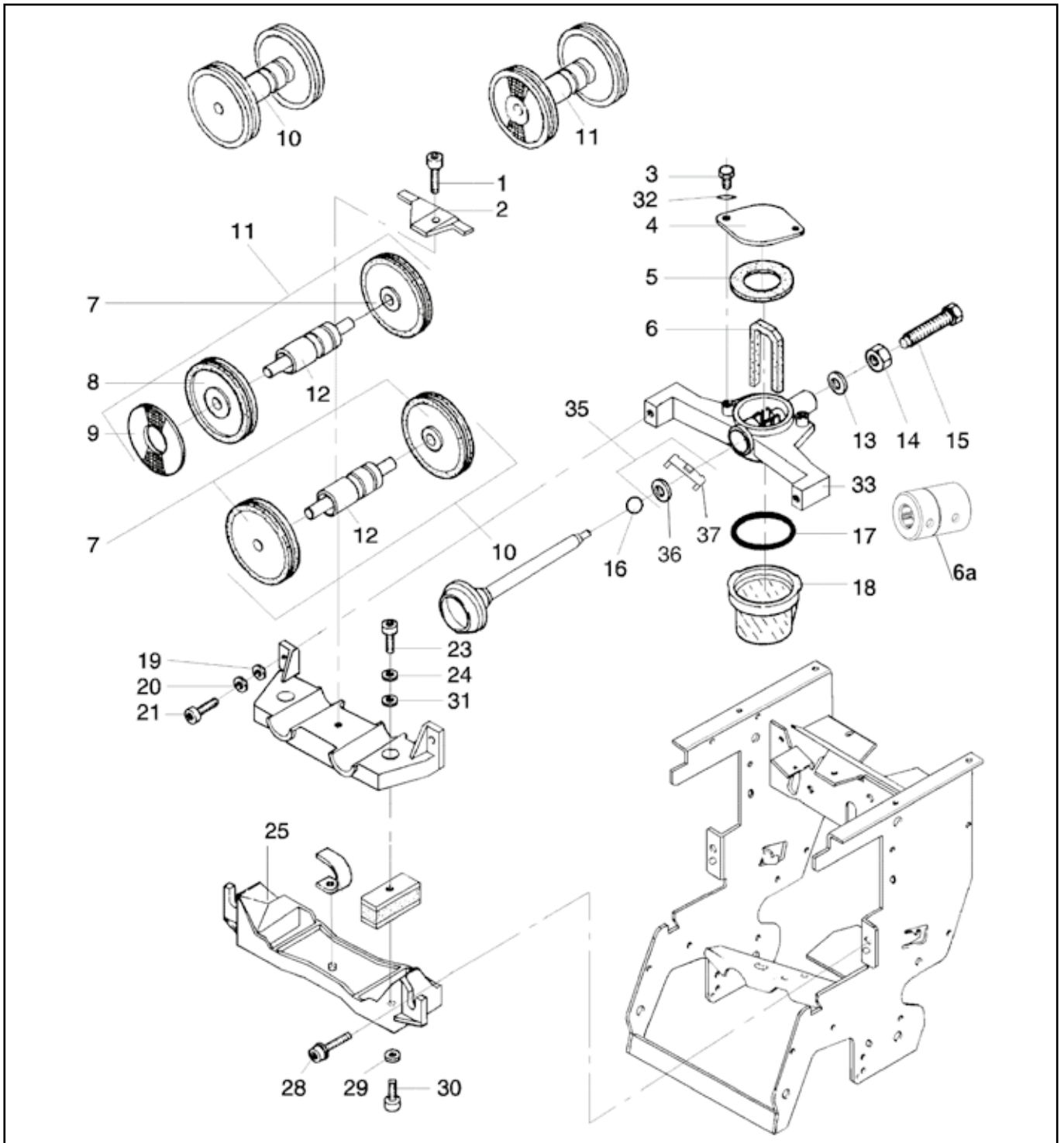
<sup>2</sup> incl./包括序号 Pos. 7, 8, 9, 12 /dahil

<sup>3</sup> incl./包括序号 Pos. 7, 8a, 12 /dahil

# TwinDisc Bearing / TwinDisc-Lager / Cojinete TwinDisc Mancal TwinDisc / TwinDisc yatağı / 双支撑轮轴承

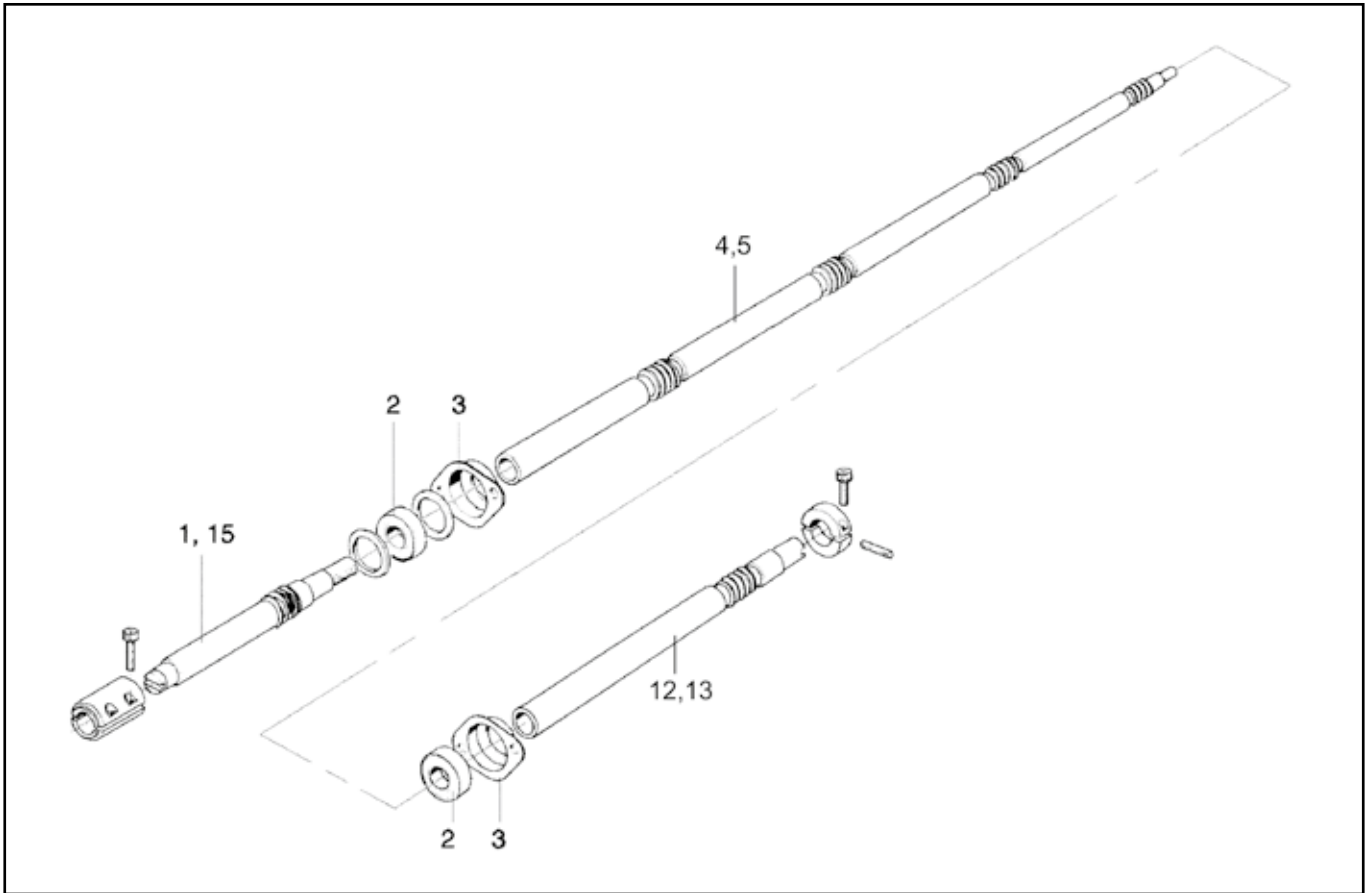
Pos.	Order No.*	Description	Beschreibung	Descripción	Descrição	Açıklama	名称
29	10258850	Washer 6.4-St-140HV	Scheibe 6.4-St-140HV	Arandela 6.4-St-140HV	Disco 6.4-St-140HV	Pul 6.4-St-100HV	垫圈
30	289.0241	Cyl. screw M6x12	Zyl. Schraube M6x12	Tornillo cil. M6x12	Parafuso de cabeça cilindr. M6x12	Silindirik vida M6X12	减振装置
31	221.0299	Washer B 6.5 B 6,5	Scheibe B 6.5	Arandela B 6.5 B 6,5	Disco B 6.5 B 6,5	Pul B 6.5 B 6,5	垫圈
32	10477709	Washer 5.3-St-200HV	Scheibe 5.3-St-200HV	Arandela 5.3-St-200HV	Disco 5.3-St-200HV	Pul 5.3-St-100HV	垫圈
33	955.8023	Thrust-bearing housing SE 8	Spurlagergehäuse SE 8	Carcasa de la quicionera SE 8	Caixa de mancal de apoio SE 8	Dip yatağı kapağı SE 8	踏板轴承箱 SE 8
33a <sup>1</sup>	10328152	Thrust bearing modernization SE 8 with <b>ProFiL</b> ® Cartridge	Spurlagermodernisierung SE 8 mit <b>ProFiL</b> ® Cartridge	Modernización de carril guía SE 8 con <b>ProFiL</b> ® Cartridge	Moderniz. do mancal vertical SE 8 com <b>ProFiL</b> ® Cartridge	SE 8 <b>ProFiL</b> ®kartuşlu dip yatağı modernizasyonu	SE8油浴式改黄油止推轴承套件
35	958.6885	Thrust-bearing seal SE 7/8	Spurlagerdichtung SE 7/8	Junta grapaldina SE 7/8	Junta do mancal vertical SE 7/8	Dip yatağı contası SE 7/8	止推轴承密封套件
36	954.1595	Thrust-bearing seal	Spurlagerdichtung	Junta grapaldina	Junta do mancal vertical	Dip yatağı contası	止推轴承密封套件
37	955.7014	Fixing device thrust-bearing seal SE8	Halterung Spurlagerdichtung SE8	Soporte junta grapaldina SE8	Disp. de fix. junta do mancal vertical SE8 junta do rotor	Dip yatağı contası emniyet aleti SE8	止推轴承密封垫锁紧装置

<sup>1</sup> incl./包括序号 Pos. 3, 4a, 13, 14, 15, 17, 18, 32 /dahil



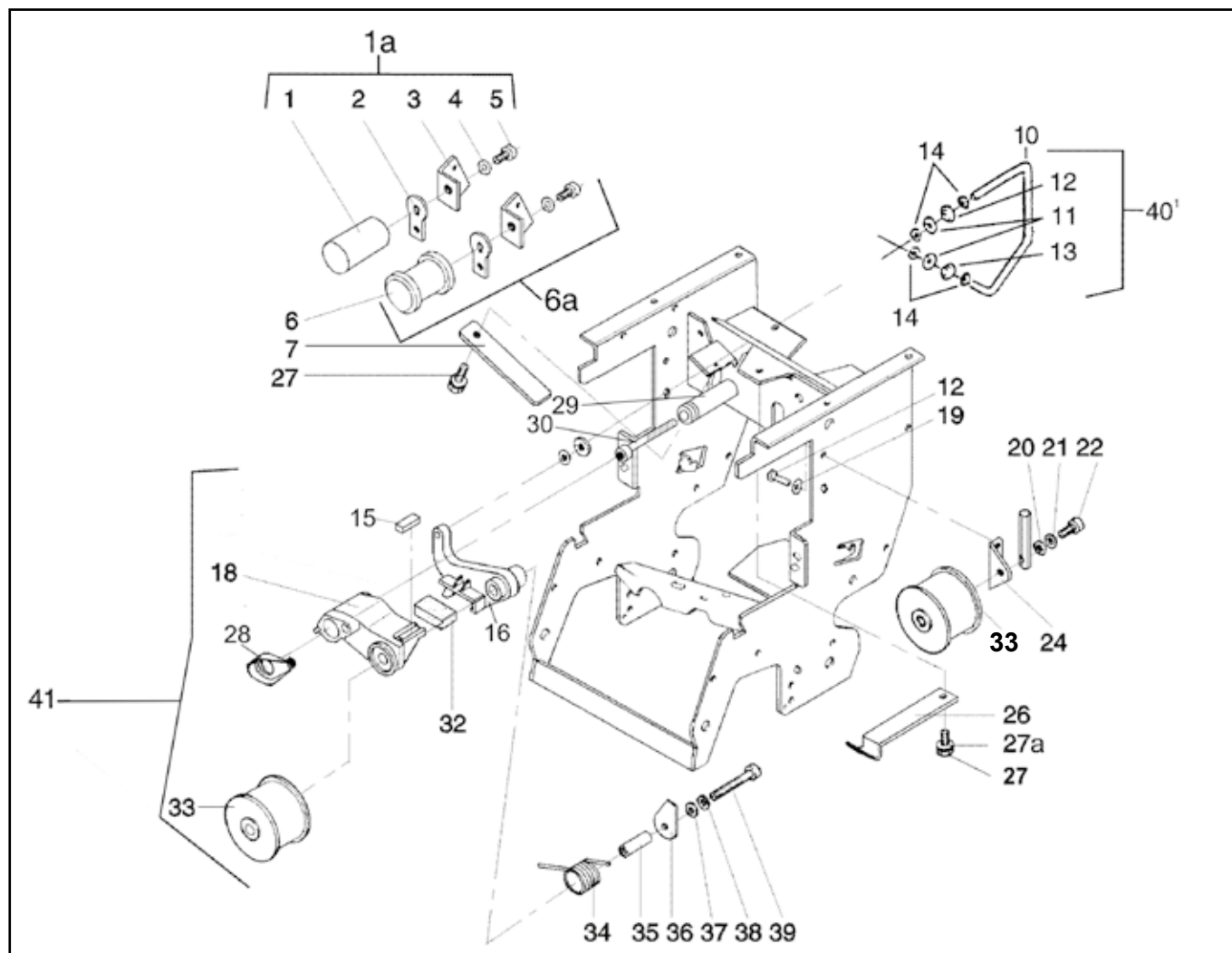
Worm gear shaft / Schneckenwelle / Arbol de tornillo sin fin  
Veio de sem-fins / Sonsuz Vida Dişlisi Mili / 蜗轮轴

Pos.	Order No.*	Description	Beschreibung	Descripción	Descrição	Açıklama	名称
1	952.9711	Worm shaft A/R SE 8-10	Schneckenwelle A/R SE 8-10	Arbol de sinfin A/R SE 8-10	Eixo do caracol A/R SE 8-10	Mil sağ bölümü, başlangıç A/R SE 8-10	轴节, 右手, 起始段
2	247.0365	Deep-groove ball bearing 20/42x12-6004-2	Ri.Kugellager 20/42x12-6004-2Z-C4	Cojinete de bolas acanalad. 20/42x12-600	Rolamento d.esferas ranhura 20/42x12-600	Yivli bilyalı yatak 20/42x12-6004-2	有槽滚珠轴承
3	958.2096	Flange SE 7-10/SC	Flansch SE 7-10/SC	Brida SE 7-10/SC	Flange SE 7-10/SC	Flanş SE 7-10/SC	法兰
4	952.9712	Worm shaft M/R SE 8-10	Schneckenwelle M/R SE 8-10	Arbol de sinfin M/R SE 8-10	Eixo do caracol M/R SE 8-10	Mil sağ bölümü, merkez M/L SE 8-10	轴节, 右手, 未段
5	952.9716	Worm shaft M/L SE 8-10	Schneckenwelle M/L SE 8-10	Arbol de sinfin M/L SE 8-10	Eixo do caracol M/L SE 8-10	Mil sol bölümü, merkez M/L SE 8-10	轴节, 左手, 未段
12	952.9713	Worm shaft E/R SE 8-10	Schneckenwelle E/R SE 8-10	Arbol de sinfin E/R SE 8-10	Eixo do caracol E/R SE 8-10	Mil sağ bölümü, son E/R SE 8-10	轴节, 右手, 未段
13	952.9717	Worm shaft E/L SE 8-10	Schneckenwelle E/L SE 8-10	Arbol de sinfin E/L SE 8-10	Eixo do caracol E/L SE 8-10	Mil sol bölümü, son E/L SE 8-10	轴节, 左手, 未段
15	952.9715	Worm shaft A/L SE 8-10	Schneckenwelle A/L SE 8-10	Arbol de sinfin A/L SE 8-10	Eixo do caracol A/L SE 8-10	Mil sol bölümü, başlangıç A/L SE 8-10	轴节, 左手, 起始段



# Tension roller suspension / Spannrollengehänge / Colgador de rodillo tensor / Suspensor de rolos tensores / Temas Silindiri Grubu / 压辊固定架

Pos.	Order No.*	Description	Beschreibung	Descripción	Descrição	Açıklama	名称
1	11084117	Press roller KU 271 SE 8-10 without flange	Andrückrolle KU 271 SE 8-10 ohne Bund	Rodillo tensor KU 271 SE 8-10 sin brida	Rolo de pressão KU 271 SE 8-10 sem flange	Baskı makarası KU 271 SE 8-10 flanşsız	无法兰导轮
1a'	953.6205	Press roller complete	Andrückrolle komplett	Rodillo tensor completo	Rolo de pressão completo	Komple baskı makarası	去掉压辊套件
2	953.0973	Adjusting lever	Justierhebel	Palanca de ajuste	Alavanca de regulação	Ayar kolu	调节杆
3	953.5205	Retaining bracket	Haltewinkel	Angulo de fijacion	Angulo de fixação	Sabitleme elemanı	角铁
4	225.0031	Spring ring 6	Federring 6	Anillo de resorte 6	Arruela de pressão 6	Esnek halka 6	弹簧圈
5	203.0339	Cyl. screw M6x20	Zyl. Schraube M6x20	Tornillo cil. M6x20	Parafuso de cabeça cilindr. M6x20	Silindirik vida M6x20	内六角螺钉
6	11084153	Press roller KU 271-3 SE 7-10	Andrückrolle KU 271-3 SE 7-10	Rodillo tensor KU 271-3 SE 7-10	Rolo de pressão KU 271-3 SE 7-10	Baskı makarası KU 271-3 SE 7-10	分梳龙带压辊
6a²	954.6911	Press roller complete	Andrückrolle komplett	Rodillo tensor completo	Rolo de pressão completo	Komple Baskı makarası	去掉压辊套件
7	953.1106	Plate spring	Flachfeder	Muelle plano	Mola lamina	Yaprak yay	板簧
10	953.9585	Brake bow	Bremsbügel	Estribo del freno	Estribo do freio	Fren tutucusu	制动弓形杆
11	953.4309	Washer 7,1 x 16 x 2	Scheibe 7,1 x 16 x 2	Arandela 7,1 x 16 x 2	Disco 7,1 x 16 x 2	Pul 7,1 x 16 x 2	垫圈
13	953.5661	Flange sleeve green	Bundbuchse grün	Buje con collar verde	Bucha de colar verde	Burç / yeşil	法兰套筒
14	226.0068	Locking disc 6	Sicherungsscheibe 6	Disco de seguro 6	Anilha de aperto 6	Kilitleme rondelasi 6	卡簧
12	10258824	Cyl. screw M5x10	Zyl. Schraube M5x10	Tornillo cil. M5x10	Parafuso de cabeça cilindr. M5x10	Silindirik vida M5x10	内六角螺钉
15	953.9724	Pressure piece SE 8	Druckstück SE 8	Pieza de presión SE 8	Peça de pressão SE 8	Baskı parçası SE 8	压力块
16	952.8345	Brake lever	Bremshebel	Palanca de freno	Alavanca de travão	Fren kolu	补偿块 蓝色
18 <sup>o</sup>	954.5095	Tension roller holder	Spannrollenhalter	Soporte de rodillo tensor	Suporte de rolo tensor	Baskı Silindir tutucusu	压辊架
19	225.0030	Spring ring B 5	Federring B 5	Anillo de resorte B 5	Arruela de pressão B 5	Esnek halka B 5	弹簧圈
20	10258850	Washer 6.4-St-140HV	Scheibe 6.4-St-140HV	Arandela 6.4-St-140HV	Disco 6.4-St-140HV	Pul 6.4-St-100HV	垫圈
21	225.0006	Spring ring A 6 PHR	Federring A 6 PHR	Anillo de resorte A 6 PHR	Arruela de pressão A 6 PHR	Esnek halka A 6 PHR	弹簧圈
22	10258929	Cyl. screw M6x30	Zyl. Schraube M6x30	Tornillo cil. M6x30	Parafuso de cabeça cilindr. M6x30	Silindirik vida M6x30	内六角螺钉
24	952.7811	Holder guide roller	Halter Begrenzungsrolle	Soporte rodillo limitador	Suporte rolo de limite	Rehber makarası tutucusu	支架导辊
26	953.0735	Holding spring	Haltefeder	Muelle de fijación	Mola de fixação	Tutucu yay	支架
27	10258840	Hex. screw M5x10	6kt-Schraube M5x10	Tornillo hex M5x10	Parafuso sextavado M5x10	Altı köşe başlı civata M5x10	六角螺钉
27a	10258853	Washer 5.3-St-100HV	Scheibe 5.3-St-100HV	Arandela 5.3-St-100HV	Disco 5.3-St-100HV	Pul 5.3-St-100HV	垫圈
28	954.5474	Safety lever SE 8/SQ8	Sicherungshebel SE 8/SQ8	Palanca de seguro SE 8/SQ8	Alavanca de segurança SE 8/SQ8	Emniyet kolu SE 8/SQ8	锁叉
29	952.7662	Stud	Bolzen	Perno	Pino	Şaplama	销子
30	10258933	Cyl. screw M6x45	Zyl. Schraube M6x45	Tornillo cil. M6x45	Parafuso de cabeça cilindr. M6x45	Silindirik vida M6x45	内六角螺钉
32	955.0132	Brake pad SE 8/SQ8	Bremsklotz SE 8/SQ8	Zapata de freno SE 8/SQ8	Sapata do freio SE 8/SQ8	Fren balatası 8/SQ8	刹车片
33	952.7841	Tension roller SE 8/SQ8	Spannrolle SE 8/SQ8	Rodillo tensor SE 8/SQ8	Rolo tensor SE 8/SQ8	Gergi silindiri SE 8/SQ8	压辊
34	952.7882	Leg spring	Schenkelfeder	Resorte	Mola de torção	Ayaklı yay	支柱弹簧
35	950.5348	Bushing 6.4x11.95x27	Buchse 6.4x11.95x27	Buje 6.4x11.95x27	Bucha 6.4x11.95x27	Burç 6.4x11.95x27	衬套
36	953.0599	Washer	Scheibe	Arandela	Disco	Pul	垫圈
37	10259678	Washer 6.4-St-200HV	Scheibe 6.4-St-200HV	Arandela 6.4-St-200HV	Disco 6.4-St-200HV	Pul 6.4-St-100HV	垫圈



Pos.	Order No.*	Description	Beschreibung	Descripción	Descrição	Açıklama	名称
38	225.0071	Spring ring 6	Federring 6	Anillo de resorte 6	Arruela de pressão 6	Esnek halka 6	弹簧圈
39	10258933	Cyl.screw M6x45	Zyl. Schraube M6x45	Tornillo cil. M6x45	Parafuso de cabeça cilindr. M6x45	Silindirik vida M6x45	内六角螺钉
40 <sup>3</sup>	953.9583	Brake rod	Bremse Stange	Freno barra	Travão barra	Fren kolu	制动联动装置
41 <sup>4</sup>	954.0624	Susp. tensioning pulley	Spannrollengehänge SE 8	Soporte/rodillo tensor	Conjunto completo da polia tensora SE 8	Destek gergi makarası	压辊固定架套件

<sup>1</sup> incl./包括序号 Pos. 1-5 /dahil

<sup>2</sup> incl./包括序号 Pos. 2-6 /dahil

<sup>3</sup> incl./包括序号 Pos. 10-14 /dahil

<sup>4</sup> incl./包括序号 Pos. 10-18, 28, 32-39 /dahil

<sup>5</sup> incl./包括序号 Pos. 15, 28 /dahil





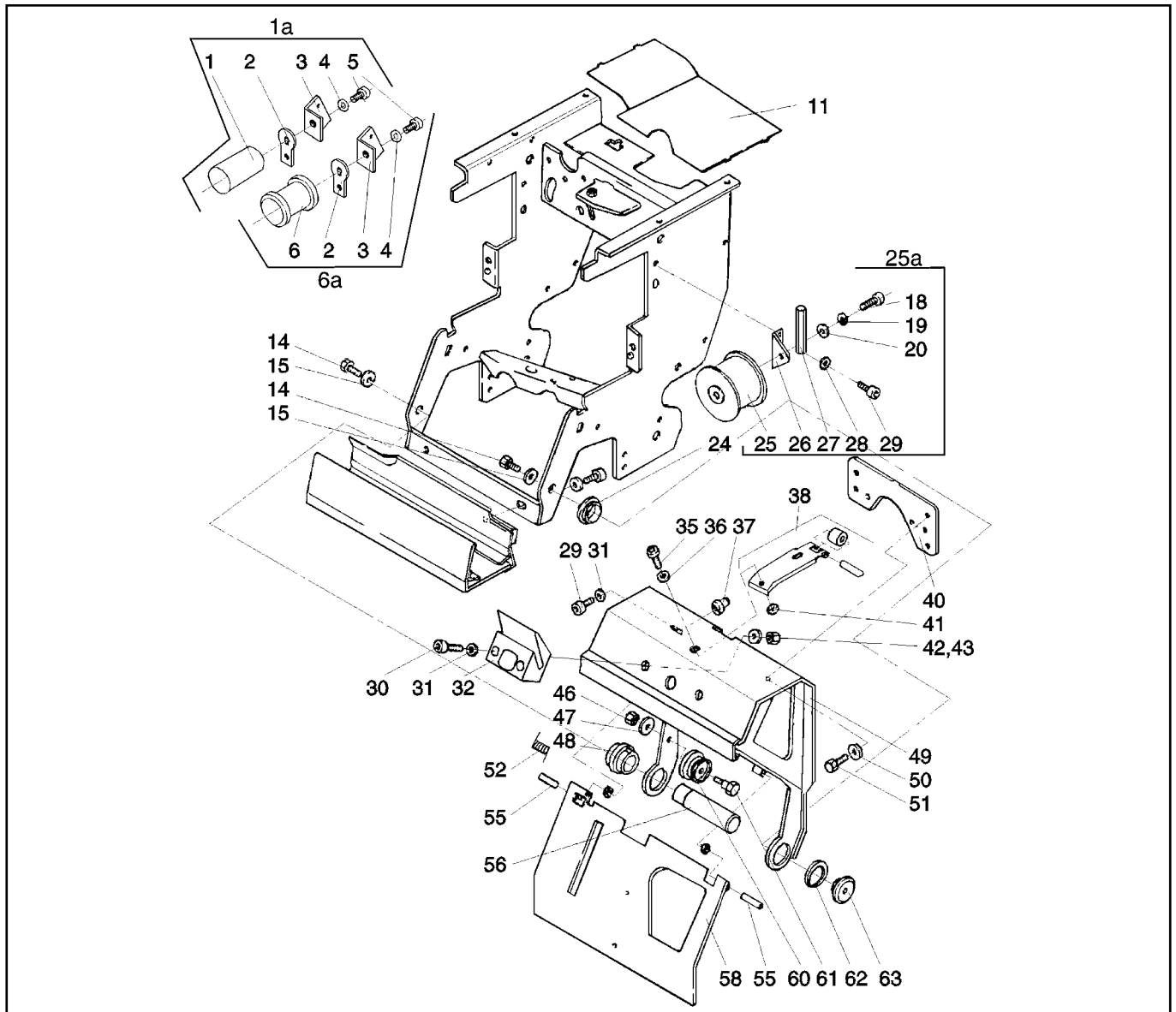


SpinBox SE 9

# SpinBox Cover / SpinBox Verdeck / SpinBox Tapa / SpinBox Tampa /SpinBox Kapağı / SpinBox 纺纱箱外罩

Pos.	Order No.*	Description	Beschreibung	Descripción	Descrição	Açıklama	名称
1	802.7157	Press roller KU 271 SE 8-10 without flange	Andrückrolle KU 271 SE 8-10 ohne Bund	Rodillo tensor KU 271 SE 8-10 sin brida	Rolo de pressão KU 271 SE 8-10 sem flange	Baskı makarası KU 271 SE 8-10 flanşsız	无法兰导轮
1a	953.6205	Press roller complete	Andrückrolle komplett	Rodillo tensor completo	Rolo de pressão completo	Komple Baskı makarası	调节杆
2	953.0973	Adjusting lever	Justierhebel	Palanca de ajuste	Alavanca de regulação	Ayar Kolu	卸压辊套件
3	953.5205	Retaining bracket	Haltewinkel	Angulo de fijacion	Angulo de fixação	Sabitleme elemanı	角铁
4	225.0031	Spring ring 6	Federring 6	Anillo de resorte 6	Arruela de pressão 6	Esnek halka 6	弹簧圈
5	203.0339	Cyl. screw M6x20	Zyl. Schraube M6x20	Tornillo cil. M6x20	Parafuso de cabeça cilindr. M6x20	Silindirik vida M6x20	内六角螺钉
6	11084153	Press roller KU 271-3 SE 7-10	Andrückrolle KU 271-3 SE 7-10	Rodillo tensor KU 271-3 SE 7-10	Rolo de pressão KU 271-3 SE 7-10	Baskı makarası KU 271-3 SE 7-10	分梳龙带导轮
6a	954.6911	Press roller complete	Andrückrolle komplett	Rodillo tensor completo	Rolo de pressão completo	Komple Baskı makarası	去掉压辊套件
11	953.1117	Cape hood	Verdeck	Cubierta	Capota	Kapak	盖子
14	10258841	Hex. screw M6x10	6kt-Schraube M6x10	Tornillo hex M6x10	Parafuso sextavado M6x10	Altı köşe başlı civata M6x10	六角螺钉
15	10258854	Washer 6.4-St-100HV	Scheibe 6.4-St-100HV	Arandela 6.4-St-100HV	Disco 6.4-St-100HV	Pul 6.4-St-100HV	垫圈
18	10258929	Cyl.screw M6x30	Zyl. Schraube M6x30	Tornillo cil. M6x30	Parafuso de cabeça cilindr. M6x30	Silindirik vida M6x30	内六角螺钉
19	225.0006	Spring ring A 6 PHR	Federring A 6 PHR	Anillo de resorte A 6 PHR	Arruela de pressão A 6 PHR	Esnek halka A 6 PHR	弹簧圈
20	10258850	Washer 6.4-St-140HV	Scheibe 6.4-St-140HV	Arandela 6.4-St-140HV	Disco 6.4-St-140HV	Pul 6.4-St-100HV	垫片
24	953.2773	Bearing bushing right SE 8-10	Lagerbuchse rechts SE 8-10	Buje de cojinete derecho SE 8-10	Bucha do mancal direito SE 8-10	Yatak kovani sağ SE 8-10	轴承衬套 右
25	956.2460	Guide roller complete SE 9-12/SC/SQ9	Begrenzungsrolle komplett SE 9-12/SC/SQ9	Rodillo limitador completo SE 9-12/SC/SQ9	Rolo de limite completo SE 9-12/SC/SQ9	Komple sınırlama rolesi	导向辊 整件
25a <sup>1</sup>	10235202	Guide roller complete SE 9/10 with holder	Begrenzungsrolle komplett SE 9/10 mit Halter	Rodillo limitador completo SE 9/10 con soporte	Rolo de limite completo SE 9/10 com suporte	Sınırlama rolesi tam SE 9/10	导辊套件
26	953.5336	Holder reverse movement roll	Halter Rücklaufrolle	Soporte rodillo retroceso	Suporte rolo de movimento de retorno	Geri döndürücü makara tutucusu	支架
27	953.8691	Stud 6kt	Bolzen 6kt	Perno 6kt	Pino 6kt	Saplama 6kt	六角销子
28	225.0030	Spring ring B 5	Federring B 5	Anillo de resorte B 5	Arruela de pressão B 5	Esnek halka B 5	弹簧圈
29	10258829	Cyl. screw M5x10	Zyl. Schraube M5x10	Tornillo cil. M5x10	Parafuso de cabeça cilindr. M5x10	Silindirik vida M5x10	内六角螺钉
30	203.0314	Cyl. screw M5x20	Zyl. Schraube M5x20	Tornillo cil. M5x20	Parafuso de cabeça cilindr. M5x20	Silindirik vida M5x20	内六角螺钉
31	10258849	Washer 5.3-St-140HV	Scheibe 5.3-St-140HV	Arandela 5.3-St-140HV	Disco 5.3-St-140HV	Pul 5.3-St-100HV	垫圈
32	951.6947	Opener block SE 7-10/SQ	Öffnerstück SE 7-10/SQ	Pieza de apertura SE 7-10/SQ	Peça de abertura SE 7-10/SQ	Açma bloğu SE 7-10/SQ	纺纱箱开启扳动块
35	10258836	Oval head screw M6x12	Linsenschraube M6x12	Tornillo con cabeza de vaso M6x12	Parafuso de cab.lenticular M6x12	Yassı başlı vida M6x12	半圆头螺栓
36	956.1698	Washer 6,4x18x1,6	Scheibe 6,4x18x1,6	Arandela 6,4x18x1,6	Disco 6,4x18x1,6	Pul 6,4x18x1,6	垫圈
37	953.1865	Centering SE 8-10	Zentrierung SE 8-10	Centraje SE 8-10	Centragem SE 8-10	Merkezieme Parçası SE 8-10	对中垫块
38	953.8042	Flat spring SE 9	Blattfeder SE 9	Resorte de hoja SE 9	Mola de lamina SE 9	Yaprak yay SE 9	板簧
40	953.0611	Centering plate	Zentrierplatte	Placa de centraje	Placa de centragem	Merkezieme Plakası	对基板
41	10126422	Square nut M6-5	4kt-Mutter M6-5	Tuerca cuadrangular M6-5	Porca quadrada M6-5	Kare somun M6-5	方头螺母
42	10258881	Cup spring 12/5.2x0.6	Tellerfeder 12/5.2x0.6	Resorte de plato 12/5.2x0.6	Mola prato 12/5.2x0.6	Tabla yayı 12/5.2x0.6	盘形弹簧
43	10258845	Hexagon nut M5-8	6kt-Mutter M5-8	Tuerca hexagonal M5-8	Porca sextavada M5-8	Altı köşe somun M5-8	六角头螺母

<sup>1</sup> incl./包括序号 Pos. 18-20, 25-29 /dahil



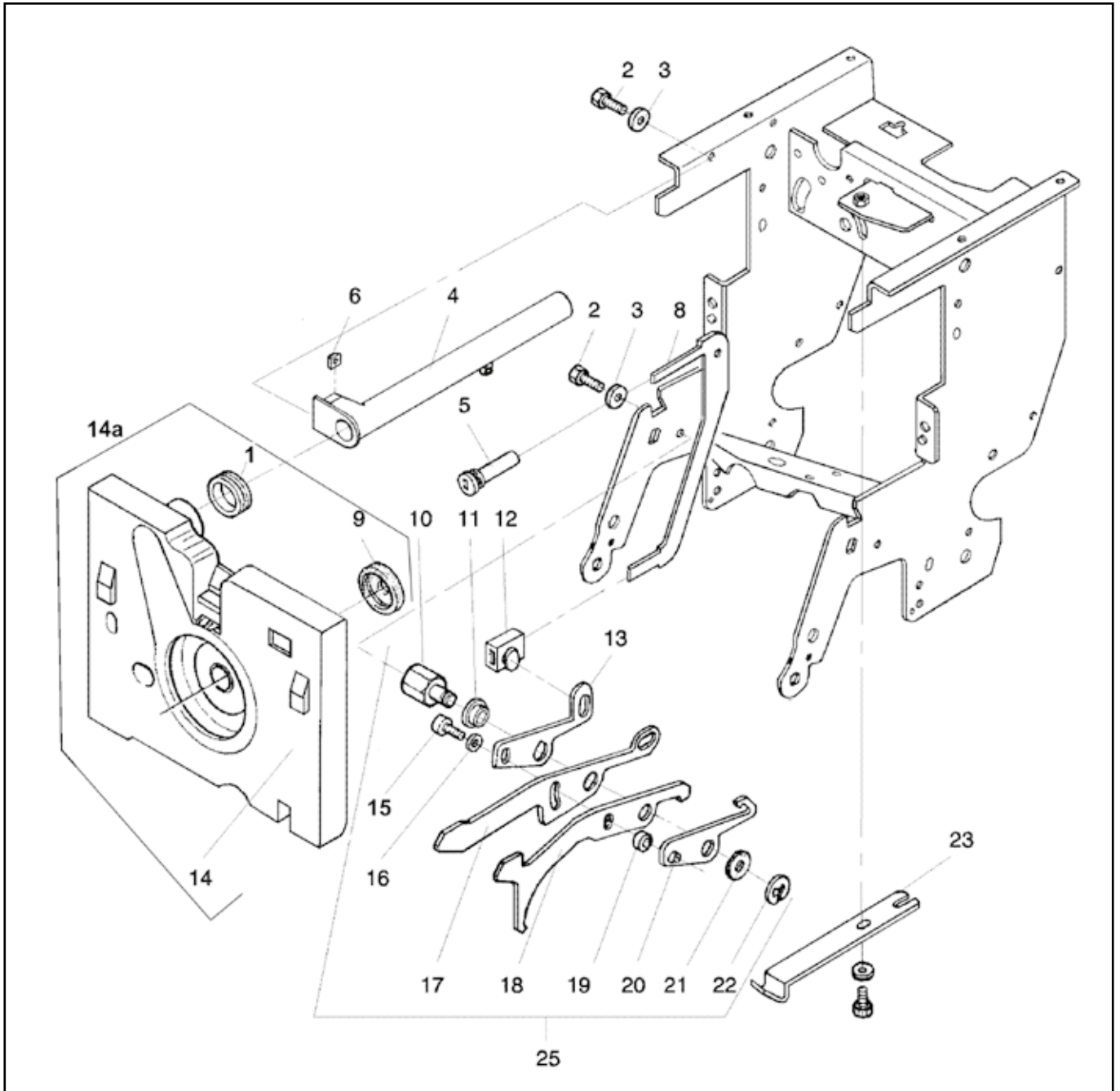
Pos.	Order No.*	Description	Beschreibung	Descripción	Descrição	Açıklama	名称
46	10258844	Hexagon nut M6-8	6kt-Mutter M6-8	Tuerca hexagonal M6-8	Porca sextavada M6-8	Altı köşe somun M6-8	六角头螺母
47	10258882	Cup spring 18/6.2x0.8	Tellerfeder 18/6.2x0.8	Resorte de plato 18/6.2x0.8	Mola prato 18/6.2x0.8	Tabla yayı 18/6.2x0.8	盘形弹簧
48	952.7751	Bearing bushing left SE 8/9	Lagerbuchse links SE 8/9	Buje de cojinete izquierdo SE 8/9	Bucha do mancal esquerdo SE 8/9	Yatak kovani sol SE 8/9	轴承衬套 左
49	955.3667	Lid	Deckel	Chapa	Tampa	Kapak	盖子
50	10258880	Cup spring 15/6.2x0.6	Tellerfeder 15/6.2x0.6	Resorte de plato 15/6.2x0.6	Mola prato 15/6.2x0.6	Tabla yayı 12/5.2x0.6	盘形弹簧
51	201.0111	Hex. screw M 6 X 8	6kt-Schraube M 6 X 8	Tornillo hex M 6 X 8	Parafuso sextavado M 6 X 8	Altı köşe başlı civata M 6 X 8	六角螺钉
52	955.6062	Leg spring L	Schenkelfeder L	Resorte L	Mola de torção L	Ayaklı yay L	支柱弹簧
55	954.9246	Stud SE 9	Bolzen SE 9	Perno SE 9	Pino SE 9	Saplama SE 9	销
56	955.0924	Swivel pin L	Schwenkbolzen L	Perno giratorio L	Cavilha giratoria L	Döndürme pimi - sol	转动销子
58	955.2920	Cover plate SE 9	Abdeckplatte SE 9	Placa de cubierta SE 9	Placa de cobertura SE 9	Kapak levhası SE 9	盖板
60	10158352	Locking roll set 24	Verriegelungsrolle Set 24	Rodillo de bloqueo set 24	Rolo de bloqueio set 24	Kilitleme bobini (24 adet)	锁紧辊 (24个)
61	955.7742	Flanged bolt SE9	Bundbolzen SE9	Perno con collar SE9	Cavilha de colar SE9	Flanş civatası SE 9	销子
62	953.6208	Compensating disc 22,5x29,7x0,3	Ausgleichscheibe 22,5x29,7x0,3	Disco compensador 22,5x29,7x0,3	Arruela de compensação 22,5x29,7x0,3	Dengeleme Rondelası 22,5x29,7x0,3	补偿垫圈
63	955.0925	Swivel pin R	Schwenkbolzen R	Perno giratorio R	Cavilha giratoria R	Döndürme pimi - sağ	转动销子

# Locking Device / Verriegelung / Dispositivo de bloqueo / Dispositivo de bloqueio / Kilitleme Donanımı / 锁紧装置

Pos.	Order No.*	Description	Beschreibung	Descripción	Descrição	Açıklama	名称
1	953.0738	Sealing ring SE 7-12/SC/SQ	Dichtring SE 7-12/SC/SQ	Anillo de junta SE 7-12/SC/SQ	Anel de vedação SE 7-12/SC/SQ	Sızdırmaz conta SE 7-12/ SC/SQ	黑板后密封圈
2	10258840	Hex. screw M5x10	6kt-Schraube M5x10	Tornillo hex M5x10	Parafuso sextavado M5x10	Altı köşe başlı civata M5x10	六角螺钉
3	10258853	Washer 5.3-St-100HV	Scheibe 5.3-St-100HV	Arandela 5.3-St-100HV	Disco 5.3-St-100HV	Pul 5,3-St-100HV	垫圈
4	954.0152	Suction tube	Absaugrohr	Tubo de aspiracion	Tubo de aspiração	Emiş borusu	吸管
5	954.9855	Guide sleeve SE 9-12/SC/SQ9	Führungshülse SE 9-12/SC/SQ9	Tubo de guía SE 9-12/SC/SQ9	Tubo bucha SE 9-12/SC/SQ9	Kılavuz sac levha SE 9-12/SC/SQ9	导件
6	953.9587	Thin nut SE 9-12/SC/SQ9	Flachmutter SE 9-12/SC/SQ9	Tuerca cuadrada SE 9-12/SC/SQ9	Porca quadrada SE 9-12/SC/SQ9	İnce somun SE 9-12/ SC/SQ9	方形螺母
8	954.9854	Lift bow	Abhebebügel	Estribo de alzada	Estribo de suspender	Kaldırma mesnedi	提升弓
9	954.1036	Seal collar SE 9-12/SC/SQ9	Dichtmanschette SE 9-12/SC/SQ9	Manguito hermetico SE 9-12/SC/SQ9	Guarnição de vedação SE 9-12/SC/SQ9	Conta SE 9-12/SC/SQ9	黑板中心密封圈
10	955.0922	Stud	Bolzen	Perno	Pino	Saplama	销
11	954.5101	Bearing bushing SE9	Lagerbuchse SE9	Buje de cojinete SE9	Bucha do mancal SE9	Yatak kovani SE 9	轴承衬套 右
12	954.9856	Transfer bushing SE 9-12/SC/SQ9	Übertragungshülse SE 9-12/SC/SQ9	Tubo de transmisión SE 9-12/SC/SQ9	Tubo de transferencia SE 9-12/SC/SQ9	Aktarma kovani SE 9-12/ SC/SQ9	转动衬套
13	955.2928	Lift lever	Abhebehebel	Palanca de alzada	Alavanca de suspender	Kaldırma mesnedi	升降支杆
14	957.2736	Rotor housing	Rotorgehäuse	Caja del rotor	Caixa de rotor	Rotor muhafazası	不含密封圈 黑板
14a <sup>1</sup>	957.2737	Rotor housing complete SE 9/10	Rotorgehäuse komplett SE 9/10	Caja del rotor completo SE 9/10	Caixa de rotor completo SE 9/10	Rotor muhafazası komple SE 9/10	整套黑板
15	203.0338	Cyl. screw M6x16	Zyl. Schraube M6x16	Tornillo cil. M6x16	Parafuso de cabeça cilindr. M6x16	Silindirik vida M6x16	内六角螺钉
16	955.6633	Washer 6,4 x 12,5 x 1,6	Scheibe 6,4 x 12,5 x 1,6	Arandela 6,4 x 12,5 x 1,6	Disco 6,4 x 12,5 x 1,6	Pul 6,4x18x1,6	垫圈
17	955.2264	Pressure lever	Druckhebel	Palanca de presion	Alavanca de pressão	Baskı kolu	压力杆
18	954.4811	Rotor brake lever	Steuerhebel	Palanca de retención	Alavanca de comando	Rotor frenleme kolu	纺杯制动杆
19	955.2262	Bushing 6x12x3.5	Buchse 6x12x3.5	Buje 6x12x3.5	Bucha 6x12x3.5	Burç 6x12x3.5	衬套
20	954.4383	Connecting lever	Einhängehebel	Palanca de conexión	Alavanca de engate	Bağlantı kolu	连接杆
21	953.3916	Distance ring SE 9	Distanzring SE 9	Anillo distanciador SE 9	Anel de afastamento SE 9	Mesafe pulu SE 9	隔距环
22	226.0088	Locking disc 9	Sicherungsscheibe 9	Disco de seguro 9	Anilha de aperto 9	Kilitleme rondelasi 9	卡簧
23	953.5337	Retaining spring rotor housing SE9	Haltefeder Rotorgehäuse SE9	Resorte de retencion caja del rotor SE9	Mola de fixação caixa de rotor SE9	Rotor yataklama emniyet Yayı SE 9	止动弹簧片
25 <sup>2</sup>	955.3446	Control unit SE 9	Steuereinheit SE 9	Mando SE 9	Comando SE 9	Kontrol birimi SE 9	控制装置

<sup>1</sup> incl./包括序号 Pos. 1, 9, 14 /dahil

<sup>2</sup> incl./包括序号 Pos. 5, 8, 10-13, 15-22 /dahil



# Opening Assembly Housing / Schwenkgehäuse / Cajilla oscilante / Caixa giratória / Açıcı Ünitesi Yuvası / 分梳套件箱

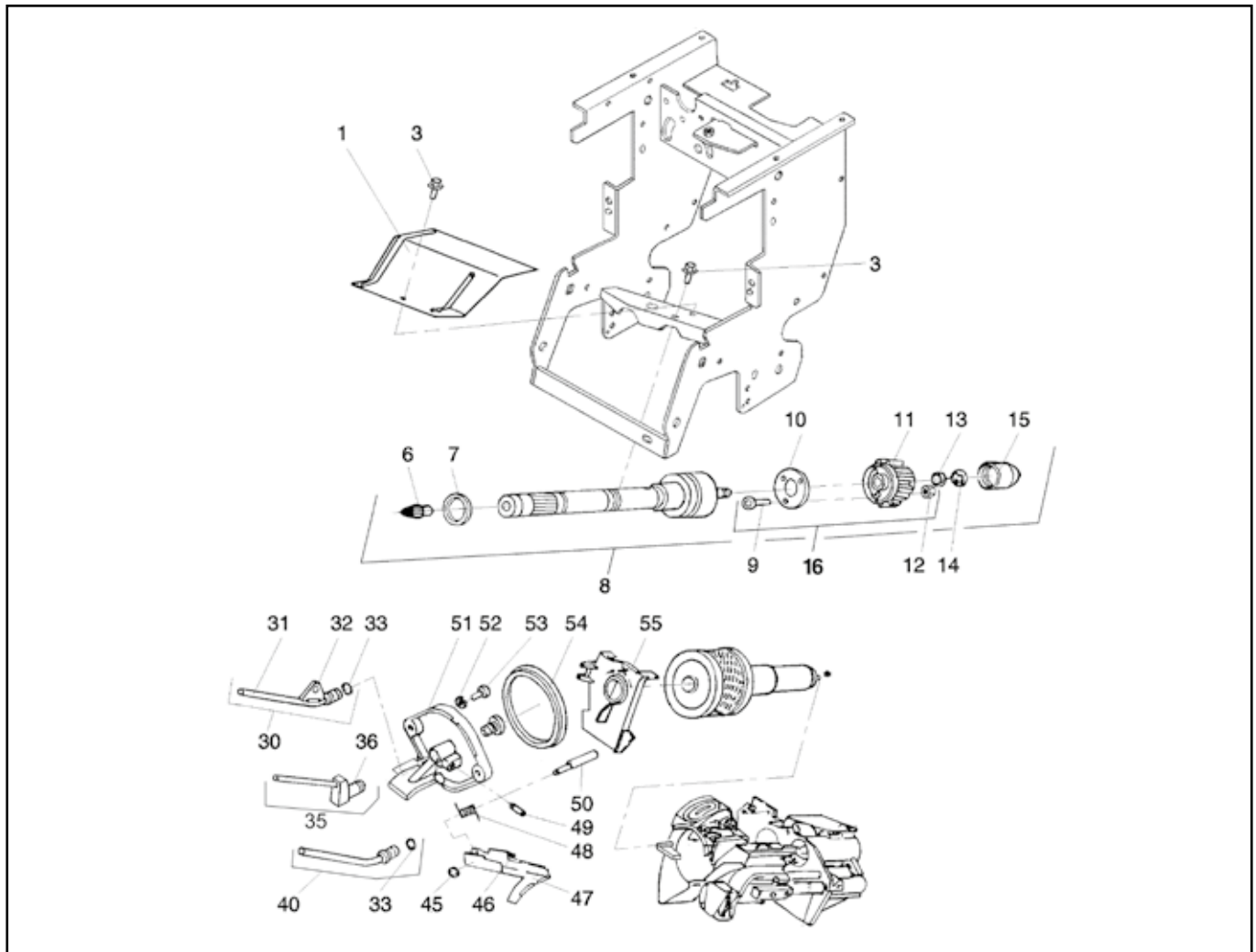
Pos.	Order No.*	Description	Beschreibung	Descripción	Descrição	Açıklama	名称
1	954.0513	Cape hood	Verdeck	Cubierta	Capota	Kapak	盖子
3	289.3008	Hex. screw M6x18	6kt-Schraube M6x18	Tornillo hex M6x18	Parafuso sextavado M6x18	Altı köşe başlı civata M6x18	六角螺钉
6	952.3024	Coupling cone SE 7-20	Kupplungskegel SE 7-20	Cono de acoplamiento SE 7-20	Cone de engrenagem SE 7-20	Kavrama konisi SE 7-20	驱动锥体
7	954.6213	Stop SE 8-10	Anschlag SE 8-10	Tope SE 8-10	Encosto SE 8-10	Durdurma SE 8-10	假捻器 SE 8-10
8 <sup>1</sup>	956.4823	Coupling gear SE 7-9	Kupplungstrieb SE 7-9	Unidad/mando/cil. aliment SE 7-9	Embreagem SE 7-9	Kavrama dişlisi SE 7-9	齿轮联轴节
9	289.2718	Oval head screw	Linsenschraube	Tornillo con cabeza de vaso	Parafuso de cab. lenticular	Yassı başlı vida	半圆头螺栓
10	955.0663	Armature plate SE 7-10/SC/SQ	Ankerscheibe SE 7-10/SC/SQ	Disco magnético SE 7-10/SC/SQ	Disco do induzido SE 7-10/SC/SQ	Armatür plakası SE 7-10/SC/SQ	离合器磁片
11	958.6701	Worm gear SE 7-10/SQ	Schneckenrad SE 7-10/SQ	Rueda de tornillo sin fin SE 7-10/SQ	Roda sem fim SE 7-10/SQ	Besleme dişlisi SE 7-10/SQ	给棉齿轮
11a	10447234	Worm gear SE 7-10/SQ slub yarn device	Schneckenrad SE 7-10/SQ Effektgarneinrichtung	Rueda de tornillo sin fin SE 7-10/SQ Dispositivo para hilos de fantasía	Roda sem fim SE 7-10/SQ Dispositivo para fios fantasia	Şantuk aparatı için Besleme dişlisi SE 7-10/SQ	竹节纱装置用给棉齿轮
12	10258843	Hexagon nut M3-8	6kt-Mutter M3-8	Tuerca hexagonal M3-8	Porca sextavada M3-8	Altı köşe somun M3-8	六角头螺母
13	952.7953	Washer 9,2x13,1x1,8 SE 7-10/SC/SQ	Scheibe 9,2x13,1x1,8 SE 7-10/SC/SQ	Arandela 9,2x13,1x1,8 SE 7-10/SC/SQ	Disco 9,2x13,1x1,8 SE 7-10/SC/SQ	Pul 9,2x13,1x1,8 SE 7-10/SC/SQ	垫圈
14	10258870	Locking disc 7	Sicherungsscheibe 7	Disco de seguro 7	Anilha de aperto 7	Kilitleme rondelasi 7	卡簧
15	951.1986	End cover SE 7-10/SC/SQ	Abschlussdeckel SE 7-10/SC/SQ	Tapa de cierre SE 7-10/SC/SQ	Tampa de fechamento SE 7-10/SC/SQ	Uç kapağı SE 7-10/SC/SQ	端盖
16 <sup>4</sup>	958.6891	Worm gear complete SE7/8/9/10/SQ	Schneckenrad komplett SE7/8/9/10/SQ	Rueda de tornillo sin fin completo SE7/8/9/10/SQ	Roda sem fim completo SE7/8/9/10/SQ	Besleme dişlisi komple SE 7/8/9/10/SQ	带磁片给棉齿轮
16a <sup>4</sup>	10447236	Worm gear SE 7-10/SQ slub yarn device complete	Schneckenrad SE 7-10/SQ Effektgarneinrichtung komplett	Rueda de tornillo sin fin SE 7-10/SQ para dispositivo de hilo de fantasia compl.	Roda sem fim SE 7-10/SQ para dispositivo para fios fantasia compl.	Şantuk aparatı için komple Besleme dişlisi SE 7-10/SQ	竹节纱装置用带磁片式给棉齿轮
30	956.2114	Torque Stop green SE 7/8/9 / SC complete	Torque Stop grün SE 7/8/9 / SC komplett	Torque Stop verde SE 7/8/9 / SC completo	Torque Stop verde SE 7/8/9 / SC completo	Büküm durdurucu, SE 7/8/9/SC yeşil komple	绿色假捻器带引纱管整套
30	956.2115	Torque Stop red SE 7/8/9 / SC complete	Torque Stop rot SE 7/8/9 / SC komplett	Torque Stop rojo SE 7/8/9 / SC completo	Torque Stop vermelho SE 7/8/9 / SC completo	Büküm durdurucu, SE 7/8/9/SC kırmızı komple	红色假捻器带引纱管整套
30	956.2654	Torque Stop black SE 7/8/9 / SC complete	Torque Stop schwarz SE 7/8/9 / SC komplett	Torque Stop negro SE 7/8/9 / SC completo	Torque Stop preto SE 7/8/9 / SC completo	Büküm durdurucu, SE 7/8/9/SC siyah komple	黑色假捻器带引纱管整套
30	956.2762	Torque Stop white SE 7/8/9 / SC complete	Torque Stop weiß SE 7/8/9 / SC komplett	Torque Stop blanco SE 7/8/9 / SC completo	Torque Stop branco SE 7/8/9 / SC completo	Büküm durdurucu, SE 7/8/9/SC beyaz komple	白色假捻器带引纱管整套
31 <sup>2</sup>	956.3697	Take-off tube complete TS30 SE 7-9/SC/SQ	Abzugsrohr komplett TS30 SE 7-9/SC/SQ	Tubo de salida completo TS30 SE 7-9/SC/SQ	Tubo de entrega completo TS30 SE 7-9/SC/SQ	Komple çıkış borusu TS30 SE 7-9/SC/SQ	陶瓷引纱管整套
32	957.5120	Torque Stop Clip green SE 7-10/SC/SQ	Torque Stop Clip grün SE 7-10/SC/SQ	Torque Stop Clip verde SE 7-10/SC/SQ	Torque Stop Clip verde SE 7-10/SC/SQ	Büküm durdurucu klipsi yeşil SE 7-10/SC/SQ	假捻器夹绿色
32	957.5122	Torque Stop Clip red SE 7-10/SC/SQ	Torque Stop Clip rot SE 7-10/SC/SQ	Torque Stop Clip rojo SE 7-10/SC/SQ	Torque Stop Clip vermelho SE 7-10/SC/SQ	Büküm durdurucu klipsi, kırmızı SE 7-10/SC/SQ	假捻器夹红色
32	957.5121	Torque Stop Clip black SE 7-10/SC/SQ	Torque Stop Clip schwarz SE 7-10/SC/SQ	Torque Stop Clip negro SE 7-10/SC/SQ	Torque Stop Clip preto SE 7-10/SC/SQ	Büküm durdurucu klipsi siyah SE 7-10/SC/SQ	假捻器夹黑色
32	957.5123	Torque Stop Clip white SE 7-10/SC/SQ	Torque Stop Clip weiss SE 7-10/SC/SQ	Torque Stop Clip blanco SE 7-10/SC/SQ	Torque Stop Clip branco SE 7-10/SC/SQ	Büküm durdurucu klipsi beyaz SE 7-10/SC/SQ	假捻器夹白色
33	954.0948	O-ring SE 7-9/SC/SQ	O-Ring SE 7-9/SC/SQ	Anillo-O SE 7-9/SC/SQ	Anel "O" SE 7-9/SC/SQ	O-bileziği SE 7-9/SC/SQ	O型密封圈
35 <sup>3</sup>	953.6435	Take-off tube complete TS37 SE 7-9/SC/SQ	Abzugsrohr komplett TS37 SE 7-9/SC/SQ	Tubo de salida completo TS37 SE 7-9/SC/SQ	Tubo de entrega completo TS37 SE 7-9/SC/SQ	Komple çıkış borusu TS37 SE 7-9/SC/SQ	陶瓷引纱管整套
36	294.0113	O-ring TS 37 SE 7-9/SC/SQ	O-Ring TS 37 SE 7-9/SC/SQ	Anillo-O TS 37 SE 7-9/SC/SQ	Anel "O" TS 37 SE 7-9/SC/SQ	O-bileziği TS 37 SE 7-9/SC/SQ	O型密封圈

<sup>1</sup> incl./包括序号 Pos. 6, 7, 9-15 /dahil

<sup>2</sup> incl./包括序号 Pos. 33 /dahil

<sup>3</sup> incl./包括序号 Pos. 36 /dahil

<sup>4</sup> incl./包括序号 Pos. 9-12 /dahil



Pos.	Order No.*	Description	Beschreibung	Descripción	Descrição	Açıklama	名称
40 <sup>5</sup>	952.0960	Take-off tube complete SE 7-9/SC/SQ	Abzugsrohr komplett SE 7-9/SC/SQ	Tubo de salida completo SE 7-9/SC/SQ	Tubo de entrega completo SE 7-9/SC/SQ	Komple çıkış borusu SE 7-9/SC/SQ	陶瓷引纱管整套
45	10259650	Locking disc 3.2	Sicherungsscheibe 3.2	Disco de seguro 3.2	Anilha de aperto 3.2	Kilitleme rondelasi 3.2	卡簧
46	953.8600	Sealing plate SE 7-10/SQ	Dichtungsplatte SE 7-10/SQ	Placa de obturación SE 7-10/SQ	Placa de junta SE 7-10/SQ	Conta plakası	密封板
47	953.8419	Valve lever	Ventil Hebel	Valvula palanca	Vavula alavanca	Valf kolu	阀杆
48	953.8601	Leg spring SE 7-9/SC/SQ	Schenkelfeder SE 7-9/SC/SQ	Resorte SE 7-9/SC/SQ	Mola de torção SE 7-9/SC/SQ	Ayakli yay SE 7-9/SC/SQ	支柱弹簧
49	956.1089	Trunnion screw SE 7-9	Zapfenschraube SE 7-9	Tornillo de pivote SE 7-9	Parafuso de munhão SE 7-9	Mil civatasi SE 7-9	螺钉
50	951.9959	Universal bolt SE 7	Gelenkbolzen SE 7	Perno articulado SE 7	Pino de articulação SE 7	Universal pim SE 7	销子
51 <sup>6</sup>		Channel plates	Kanalplatten	Placas de canal	Placas do canal	Kanal Plakaları	阻捻盘和阻捻盘结合器
52	225.0031	Spring ring 6	Federring 6	Anillo de resorte 6	Arruela de pressão 6	Esnek halka 6	弹簧圈
53	203.0635	Cyl. screw M6X10	Zyl. Schraube M6X10	Tornillo cil. M6X10	Parafuso de cabeça cilindr. M6X10	Silindirik vida M6X10	内六角螺钉
54	954.1059	Sealing ring SE 7-10	Dichtring SE 7-10	Anillo de junta SE 7-10	Anel de vedação SE 7-10	Sızdırmaz conta SE 7-10	密封环
55	955.8133	Cover plate SE 9	Abdeckplatte SE 9	Placa de cubierta SE 9	Placa de cobertura SE 9	Kapak levhası SE 9	盖板

<sup>5</sup> no longer available; alternative product TorqueStop green complete 956.2114  
 Nicht mehr verfügbar; Alternativproduct TorqueStop grün komplett 956.2114  
 Ya no se vende; alternativa: TorqueStop verde completo 956.2114  
 Não mais disponível; alternativa: TorqueStop verde completo 956.2114  
 Artık mevcut değil; alternatif: büküm durdurucu yeşil komple 956.2114  
 不再供应，替代产品绿色假捻器整套 956.2114

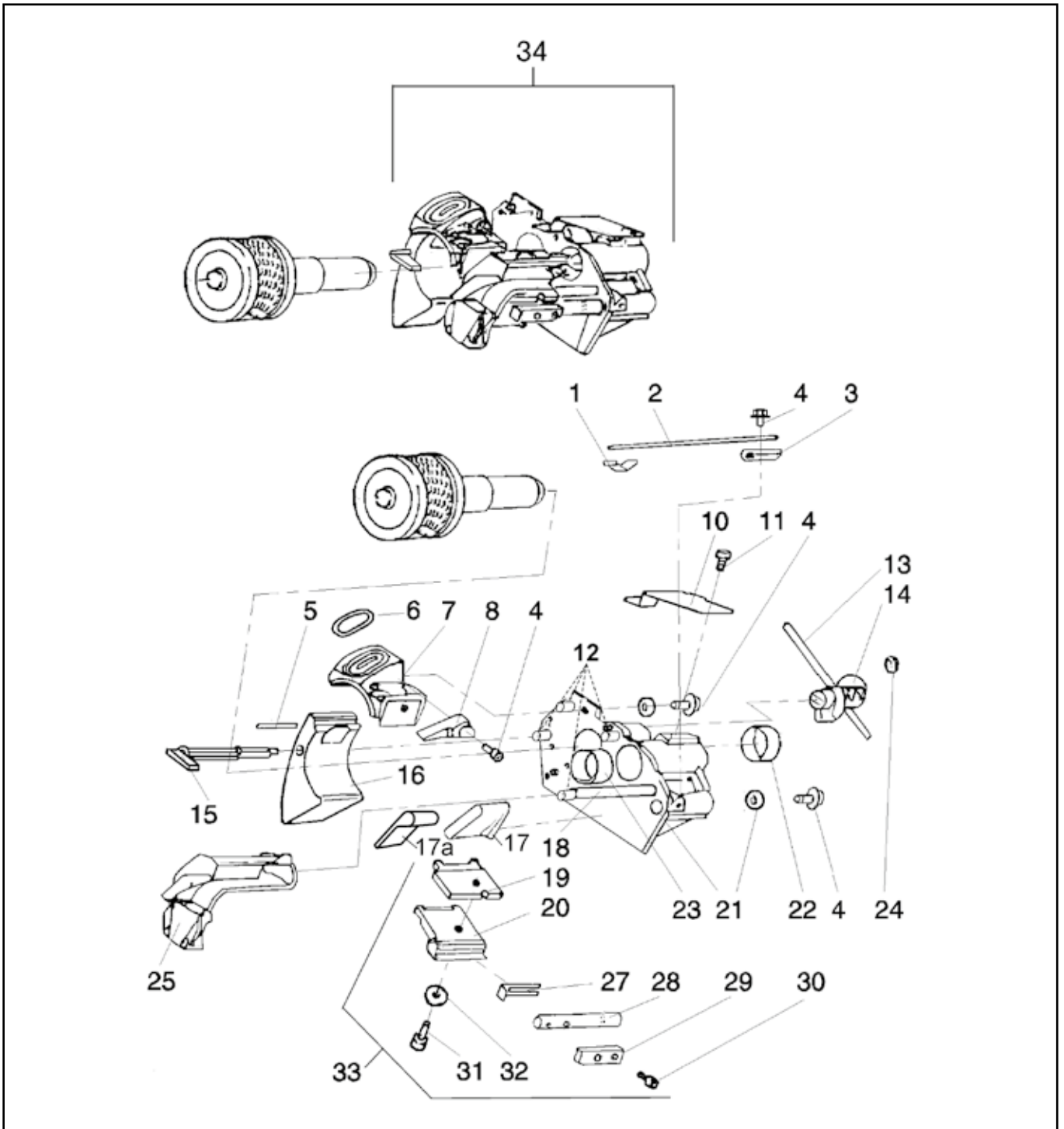
<sup>6</sup> See brochure "SUESSEN Premium Parts for Autocoro Spinning Machines" No. SIP.0052

<sup>6</sup> 请参考“应用于Autocoro转杯纺纱机绪森优质专件”的样本“N. SIP.0052

# Opening Assembly Housing / Schwenkgehäuse / Cajilla oscilante / Caixa giratória / Açıcı Ünitesi Yuvası / 分梳套件箱

Pos.	Order No.*	Description	Beschreibung	Descripción	Descrição	Açıklama	名称
1	953.5536	Supporting piece SE 8-10/SQ	Aufлагestück SE 8-10/SQ	Pieza de apoyo SE 8-10/SQ	Peça de apoio SE 8-10/SQ	Destek parçası	支承件 SE 8-10/SQ
2	953.0799	Weighting spring	Belastungsfeder	Muelle de presión	Mola tensora	Baskı yayı	加压弹簧片
3	953.8050	Pressure piece	Druckstück	Pieza de presión	Peça de pressão	Baskı parçası	压力块
4	289.2546	Cyl. screw M5 x 16	Zyl. Schraube M5 x 16	Tornillo cil. M5 x 16	Parafuso de cabeça cilindr. M5 x 16	Silindirik vida	内六角螺钉
5	955.9783	Sealing profile SE 9	Runddichtschnur SE 9	Perfil de obturación SE 9	Cordão redondo de vedação SE 9	Conta perfil	密封条
6	952.6756	Sealing ring fibre channel SE 7-10/SQ	Dichtring Faserkanal SE 7-10/SQ	Anillo de junta canal de fibras SE 7-10/SQ	Anel de vedação canal das fibras SE 7-10/SQ	Sızdırmaz bilezik elyaf kanalı	纤维通道密封环
7	958.6517	Fibre channel complete U SE 9 WC CO	Faserkanal komplett U SE 9 WC CO	Canal de fibras completo U SE 9 WC CO	Canal das fibras completo U SE 9 WC CO	Elyaf kanalı komple U SE 9 WC CO	纤维通道 整件
7	955.9408	Fibre channel complete SE 9 WC CO D-FG	Faserkanal komplett SE 9 WC CO D-FG	Canal de fibras completo SE 9 WC CO D-FG	Canal das fibras completo SE 9 WC CO D-FG	Elyaf kanalı komple SE 9 WC CO D-FG	纤维通道 整件
7	955.9407	Fibre channel complete D SE 9 WC CO	Faserkanal komplett D SE 9 WC CO	Canal de fibras completo D SE 9 WC CO	Canal das fibras completo D SE 9 WC CO	Elyaf kanalı komple D SE 9 WC CO	纤维通道 整件
8	954.8526	Sliding piece SE 7-9	Gleitstück SE 7-9	Pieza de deslizamiento SE 7-9	Peça de deslize SE 7-9	Kayıcı parça SE 7-9	滑块
10	954.0911	Brake spring	Bremsfeder	Muelle de freno	Mola do freio	Fren yayı	分梳刹车弹簧
11	201.0449	Hex. screw M5x7	6kt-Schraube M5x7	Tornillo hex M5x7	Parafuso sextavado M5x7	Altı köşe başlı civata M5x7	六角螺钉
12	232.0170	Cylindrical pin 5m6x10	Zylinderstift 5m6x10	Barrita de cilindro 5m6x10	Pino cilíndrico 5m6x10	Silindirik pim 5m6x10	圆柱型销子
13	953.5581	Clamp rod	Klemmstab	Barra de sujeción	Pino de trava	Sıkıştırma Çubuğu	夹持杆
14	953.9247	Eccentric	Exzenter	Excéntrico	Excêntrico	Kam	凸轮
15	955.8878	Locking lever SE 9	Klemmhebel SE 9	Palanca de bloqueo SE 9	Alavanca de aperto SE 9	Sıkıştırma kolu	紧固手柄
16	956.0205	Side wall U SE 9	Seitenwand U SE 9	Pared lateral U SE 9	Parede lateral U SE 9	Yan Duvar U SE 9	侧板
16	955.9192	Side wall D-FG SE 9	Seitenwand D-FG SE 9	Pared lateral D-FG SE 9	Parede lateral D-FG SE 9	Yan Duvar D SE 9	侧板
16	955.9193	Side wall D SE 9	Seitenwand D SE 9	Pared lateral D SE 9	Parede lateral D SE 9	Yan Duvar D-FG SE 9	侧板
17	953.6363	Cleaning wall, polished	Reinigungswand, poliert	Pared de limpieza, pulida	Lateral de limpeza	Temizleme duvar	清洁墙
17a	956.4135	Cleaning wall, polished, new	Reinigungswand, poliert, neu	Pared de limpieza, pulida, nuevo	Lateral de limpeza, novo	Temizleme duvar, yeni	清洁墙
18	954.7924	Cylindrical pin	Zylinderstift	Barrita de cilindro	Pino cilíndrico	Silindirik pim	圆柱型销子
19	954.0032	Feed table U	Speisemulde U	Mesa de alimentación U	Mesa de alimentação U	Besleme tablası U	U形喂料盘
20	955.8057	Feed-tray support	Aufnahme Speisemulde	Soporte mesa de alim.	Suporte mesa de aliment.	Besleme tablası desteği	喂料盘支架
21	10356245	Bushing 12/14x8-Iglicur-G	Buchse 12/14x8-Iglicur-G	Buje 12/14x8-Iglicur-G	Bucha 12/14x8-Iglicur-G	Burç 12/14x8-Iglicur-G	衬套
22	954.1515	Bushing 25x28x12	Buchse 25x28x12	Buje 25x28x12	Bucha 25x28x12	Burç 25x28x12	衬套
23	957.5070	Bushing	Buchse	Buje	Bucha	Burç	衬套
24	10258869	Locking disc 5	Sicherungsscheibe 5	Disco de seguro 5	Anilha de aperto 5	Fren rondelasi 5	卡簧
25	958.6861	Condenser SE 7-9	Verdichter SE 7-9	Condensador SE 7-9	Condensador SE 7-9	Şerit rehberi SE 7-9	集束器
27	954.0033	Spacer plate 0,4	Distanzblech 0,4	Placa distanciadora 0,4	Chapa de espaçamento	Ara parçası	隔距块
28	954.0918	Stud SE 9	Bolzen SE 9	Perno SE 9	Pino SE 9	Pim SE 9	销
29	954.0030	Cap	Kappe	Capucha	Capa	Başlık	盖子
30	10244210	Cyl. screw M5x20	Zyl. Schraube M5x20	Tornillo cil. M5x20	Parafuso de cabeça cilindr. M5x20	Silindirik vida M5x20	内六角螺钉
31	10490869	Hex. screw M5x8	6kt-Schraube M5x8	Tornillo hex M5x8	Parafuso sextavado M5x8	Altı köşe başlı civata M5x8	六角螺钉
32	222.0181	Washer 5.3-St-100HV	Scheibe 5.3-St-100HV	Arandela 5.3-St-100HV	Disco 5.3-St-100HV	Kasnak 5.3-St-100HV	垫圈
33 <sup>1</sup>	956.7052	Feed table U	Speisemulde U	Mesa de alimentación U	Mesa de alimentação U	Besleme tablası U	喂料盘组件
34 <sup>2</sup>	957.4741	Opening unit complete D	Öffnereinheit komplett D	Unidad de apertura completo D	Unidade de abertura completo D	Komple açıcı silindir yuvası D	分梳辊箱D套件
34 <sup>2</sup>	956.5504	Opening Roller Housing D-FG compl.	Schwenkgehäuse D-FG compl.	Scatola orientabile D-FG compl.	Caixa giratória D-FG completa	Komple açıcı silindir yuvası D-FG	分梳辊箱D-FG套件
34 <sup>2</sup>	957.4740	Opening unit complete U	Öffnereinheit komplett U	Unidad de apertura completo U	Unidade de abertura completo U	Komple açıcı silindir yuvası U	分梳辊箱U套件



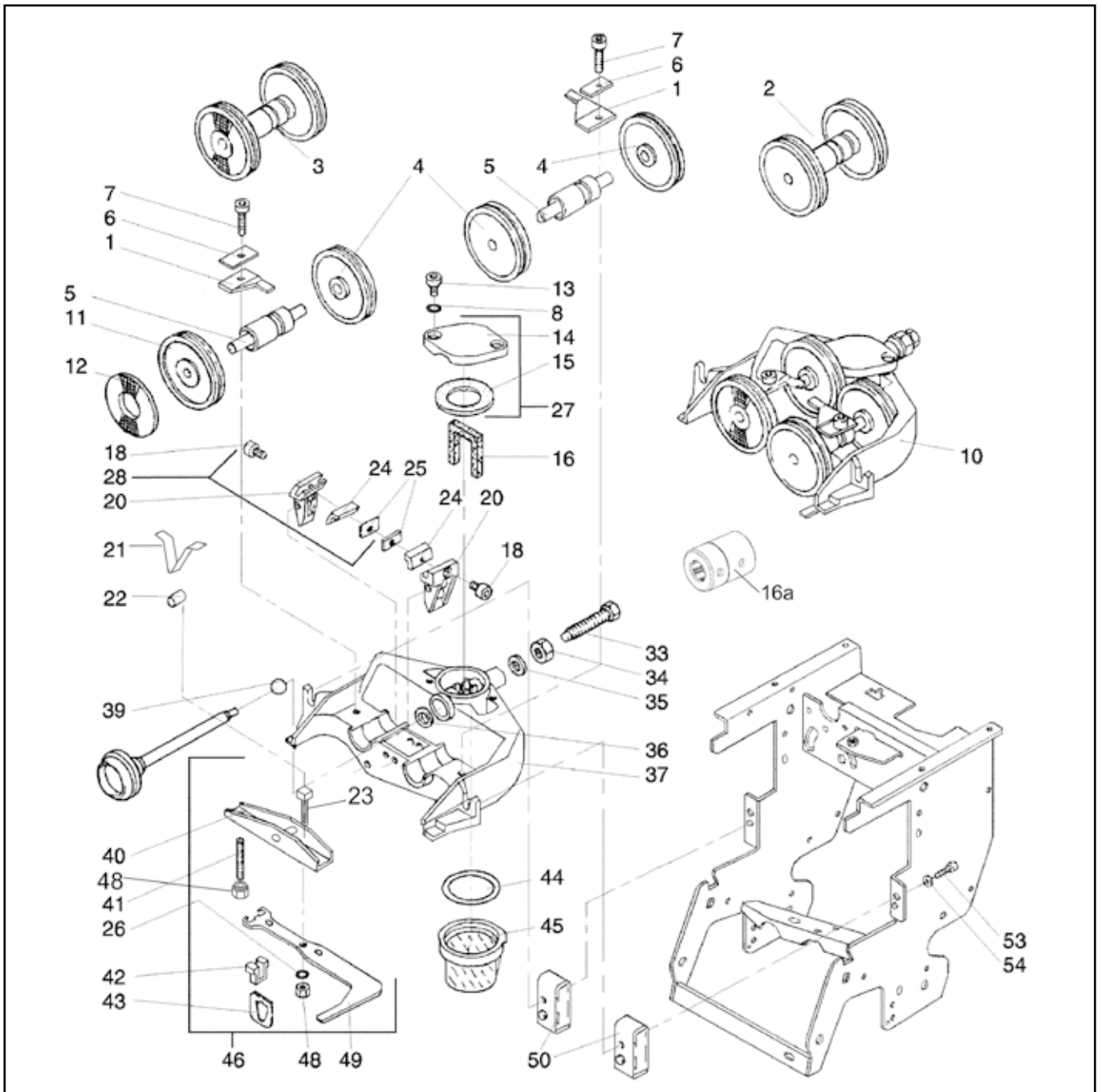


<sup>1</sup> incl./包括序号 Pos. 19, 20, 28-32 /dahil

<sup>2</sup> incl./包括序号 Pos. 1-32 /dahil

# TwinDisc Bearing / TwinDisc-Lager / Cojinete TwinDisc Mancal TwinDisc / TwinDisc yatağı / 双支撑轮轴承

Pos.	Order No.*	Description	Beschreibung	Descripción	Descrição	Açıklama	名称
1	954.1465	Retaining spring	Haltefeder	Resorte de retencion	Mola de fixação	Tutucu yay	固定弹簧
2	10403973	TwinDisc roll N SE 9-12/SC/SQ9 with 2 Cooling Grooves	TwinDisc Rolle N SE 9-12/SC/SQ9 mit 2 Kühlnuten	TwinDisc rodillo N SE 9-12/SC/SQ9 con 2 ranuras de refrigeración	TwinDisc rolo N SE 9-12/SC/SQ9 com 2 ranhuras de refrigeração	TwinDisc yatak N SE 9-12/SC/SQ9 ve 2 soğutma kanallı	带轴承的双普通支撑轮组件
3	10589715	TwinDisc roll R SE 9-12/SC/SQ9 with 2 cooling grooves	TwinDisc Rolle R SE 9-12/SC/SQ9 mit 2 Kühlnuten	TwinDisc rodillo R SE 9-12/SC/SQ9 con 2 ranuras de refrigeración	TwinDisc rolo R SE 9-12/SC/SQ9 com 2 ranhuras de refrigeração	TwinDisc yatak R SE 9-12/SC/SQ9 ve 2 soğutma kanallı	带轴承的反光片式加普通式支撑轮组件
3a	10492491	TwinDisc roll L SE 9-12/SC/SQ9 with 2 cooling grooves	TwinDisc Rolle L SE 9-12/SC/SQ9 mit 2 Kühlnuten	TwinDisc rodillo L SE 9-12/SC/SQ9 con 2 ranuras de refrigeración	TwinDisc rolo L SE 9-12/SC/SQ9 com 2 ranhuras de refrigeração	TwinDisc yatak L SE 9-12/SC/SQ9 ve 2 soğutma kanallı	双冷却槽激光L型支撑轮
4	958.6843	TwinDisc N SE 9-12/SC/SQ9 with 2 cooling grooves	TwinDisc N SE 9-12/SC/SQ9 mit 2 Kühlnuten	TwinDisc N SE 9-12/SC/SQ9 con 2 ranuras de refrigeración	TwinDisc N SE 9-12/SC/SQ9 com 2 ranhuras de refrigeração	TwinDisc N SE 9-12/SC/SQ9 ve 2 soğutma kanallı	双冷却槽普通N型支撑轮
5	11084115	TwinDisc bearing SE 9-12/SC/SQ9	TwinDisc Lager SE 9-12/SC/SQ9	TwinDisc cojinete SE 9-12/SC/SQ9	TwinDisc mancal SE 9-12/SC/SQ9	TwinDisc rulmanı SE 9-12/SC/SQ9	TwinDisc 支撑盘轴承
6	954.6228	Plate	Platte	Placa	Placa	Plaka	板
7	10258826	Cyl. screw M6x18	Zyl. Schraube M6x18	Tornillo cil. M6x18	Parafuso de cabeça cilindr. M6x18	Silindirik vida M6x18	内六角螺钉
8	10259678	Washer 6.4-St-200HV	Scheibe 6.4-St-200HV	Arandela 6.4-St-200HV	Disco 6.4-St-200HV	Pul 6.4-St-100HV	垫圈
10	958.6910	TwinDisc bearing unit SE9/SE10 hybrid with TwinDisc roll R/N with 2 Cooling Grooves	TwinDisc Lagereinheit SE9/SE10 hybrid mit TwinDisc Rolle R/N mit 2 Kühlnuten	TwinDisc unidad de cojinete SE9/SE10 hibrida con rodillo TwinDisc R/N con 2 ranuras de refrigeración	TwinDisc mancal SE9/SE10 hibrido com rolo TwinDisc R/N com 2 ranhuras de refrigeração	TwinDisc yataklama ünitesi SE9/SE10 hibrid ve 2 soğutma kanallı ve rulmanlı TwinDisc R/N ile modernizasyonu	纺杯轴承套件
10a	958.6398	Thrust bearing modernization with ProFIL®Cartridge and TwinDisc roll R/N with 2 Cooling Grooves	Spurlagermodernisierung mit ProFIL®Cartridge und TwinDisc Rolle R/N mit 2 Kühlnuten	Modernización de carril guía con ProFIL®Cartridge y rodillo TwinDisc R/N con 2 ranuras de refrigeración	Modernização do mancal vertical com ProFIL®Cartridge e rolo TwinDisc R/N com 2 ranhuras de refrigeração	TwinDisc yatağı ünitesinin ProFIL®Cartridge ve 2 soğutma kanallı ve rulmanlı TwinDisc R/N ile modernizasyonu	纺杯轴承套件改造 (含ProFIL®普鲁菲尔纺杯轴承和支撑轮套件)
11	958.6844	TwinDisc R SE 9-12/SC/SQ9 with 2 cooling grooves	TwinDisc R SE 9-12/SC/SQ9 mit 2 Kühlnuten	TwinDisc R SE 9-12/SC/SQ9 con 2 ranuras de refrigeración	TwinDisc R SE 9-12/SC/SQ9 com 2 ranhuras de refrigeração	TwinDisc R SE 9-12/SC/SQ9 ve 2 soğutma kanallı	双冷却槽反光片式R型支撑轮
11a	10447546	TwinDisc L SE 9-12/SC/SQ9 with 2 cooling grooves	TwinDisc L SE 9-12/SC/SQ9 mit 2 Kühlnuten	TwinDisc L SE 9-12/SC/SQ9 con 2 ranuras de refrigeración	TwinDisc L SE 9-12/SC/SQ9 com 2 ranhuras de refrigeração	TwinDisc L SE 9-12/SC/SQ9 ve 2 soğutma kanallı	支撑轮片L
12	10147672	ProFIL®Reflector SE 7-12/SC/SQ	ProFIL®Reflektor SE 7-12/SC/SQ	ProFIL®Reflector SE 7-12/SC/SQ	ProFIL®Refletor SE 7-12/SC/SQ	ProFIL®Reflektör SE 7-12/SC/SQ	ProFIL®红色反光片
13	10258825	Cyl. screw M6x12	Zyl. Schraube M6x12	Tornillo cil. M6x12	Parafuso de cabeça cilindr. M6x12	Silindirik vida M6x12	内六角螺钉
14	957.0297	Lid thrust-bearing housing SE 9/10/SC/SQ9	Deckel Spurlagergehäuse SE 9/10/SC/SQ9	Chapa carcasa de la quicionera SE 9/10/SC/SQ9	Tampa caixa de mancal de apoio SE 9/10/SC/SQ9	Dip yatağı muhafazası kapağı SE 9/10/SC/SQ9	止推轴承 外盖
15	956.8196	Sealing ring SE 9/10	Dichtring SE 9/10	Anillo de junta SE 9/10	Anel de vedação SE 9/10	Sızdırmaz conta SE 9/10	密封环
16	956.2594	Oil felt saturated SE 8-10 24 pcs.	Öl-Filz getränkt SE 8-10 24 St.	Fieltro impregnado SE 8-10 24 pzs.	Feltro impregnado SE 8-10 24 pcs.	Yağ keçesi doygun SE 8-10 24 adet	油毡条,每盒24件
16a	10324795	ProFIL®Cartridge SE 9/10/SC/SQ9 packing unit 24 pcs.	ProFIL®Cartridge SE 9/10/SC/SQ9 Verpackungseinheit 24 St.	ProFIL®Cartridge SE 9/10/SC/SQ9 unidad the embalaje 24 pzs.	ProFIL®Cartridge SE 9/10/SC/SQ9 unidade de embalagem 24 pcs.	ProFIL®Cartridge SE 7/8/SQ8 (24 adet)	ProFIL®纺杯尾部黄油止推轴承底座每盒24件
18	10258837	Oval head screw M5x12	Linsenschraube M5x12	Tornillo con cabeza de vaso M5x12	Parafuso de cab.lenticular M5x12	Yassı başlı vida M5x12	半圆头螺栓
20	10639874	Brake lever	Bremshebel	Palanca de freno	Alavanca de travão	Fren kolu	制动杆
21	953.8698	Return spring	Rückstellfeder	Resorte de devolución	Mola de retorno	Dönüş yayı	张力弹簧片
22	954.1937	Roll SE 9-10/SC/SQ9	Rolle SE 9-10/SC/SQ9	Rodillo SE 9-10/SC/SQ9	Rolo SE 9-10/SC/SQ9	Makara SE 9-10/SC/SQ9	滚动块
23	954.1936	Stud 4 Kt	Bolzen 4 Kt	Perno 4 Kt	Pino 4 Kt	Saplama 4 kt	方头销子



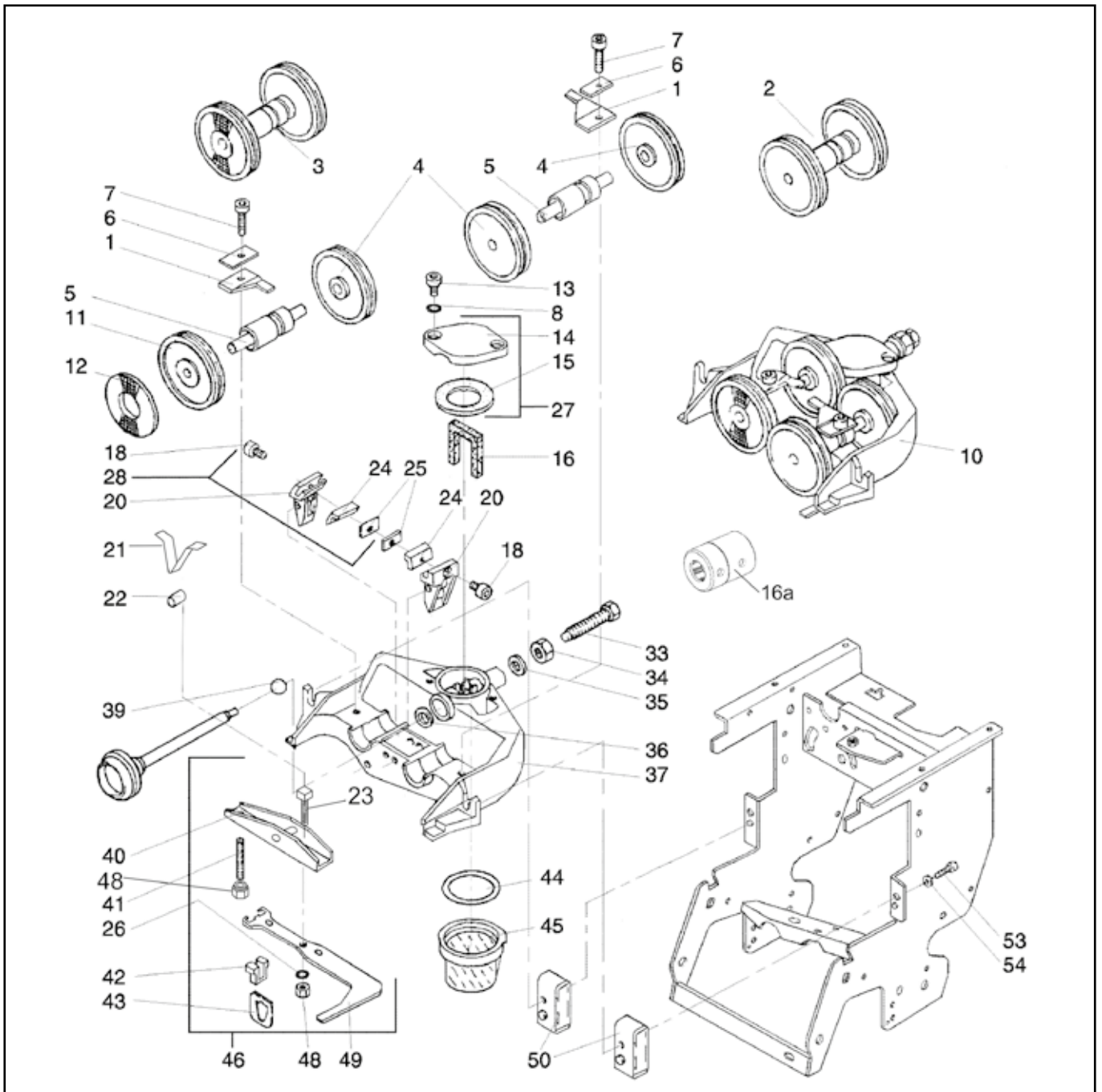
# TwinDisc Bearing / TwinDisc-Lager / Cojinete TwinDisc Mancal TwinDisc / TwinDisc yatağı / 双支撑轮轴承

Pos.	Order No.*	Description	Beschreibung	Descripción	Descrição	Açıklama	名称
24	10386594	<b>ProFiL®</b> Brake pad SE 9-12/SC/SQ9	<b>ProFiL®</b> Bremsklotz SE 9-12/SC/SQ9	<b>ProFiL®</b> Zapata de freno SE 9-12/SC/SQ9	<b>ProFiL®</b> Sapata do freio SE 9-12/SC/SQ9	Fren balatası <b>ProFiL®</b> SE 9-12/SC/SQ9	<b>ProFiL®</b> 刹车片
25	953.9587	Thin nut SE 9-12/SC/SQ9	Flachmutter SE 9-12/SC/SQ9	Tuerca cuadrada SE 9-12/SC/SQ9	Porca quadrada SE 9-12/SC/SQ9	İnce somun SE 9-12/SC/SQ9	方形螺母
26	10258881	Cup spring 12/5.2x0.6	Tellerfeder 12/5.2x0.6	Resorte de plato 12/5.2x0.6	Mola prato 12/5.2x0.6	Tabla yayı 12/5.2x0.6	盘形弹簧
27 <sup>1</sup>	957.4757	Thrust-bearing housing lid complete	Spurlagergehäuse Deckel komplett	Carcasa de la quicionera chapa compl.	Caixa de mancal de apoio tampa compl.	Dip yatak kapağı komple	踏板轴承箱 盖子
28 <sup>2</sup>	11011281	Brake lever complete	Bremshebel komplett	Palanca de freno completo	Alavanca de travão completo	Komple fren kolu	制动杆, 套件
33	10455566	Adjustment spindle SE 9/10/SC/SQ 9	Einstellschraube SE 9/10/SC/SQ 9	Tornillo de ajuste SE 9/10/SC/SQ 9	Parafuso de ajuste SE 9/10/SC/SQ 9	Ayar iği SE 9/10/SC/SQ 9	校准螺栓
34	10258846	Hexagon nut M10x1-6	6kt-Mutter M10x1-6	Tuerca hexagonal M10x1-6	Porca sextavada M10x1-6	Altı köşe somun M10x1-6	六角头螺母
35	10258851	Washer 10.5-St-140HV	Scheibe 10.5-St-140HV	Arandela 10.5-St-140HV	Disco 10.5-St-140HV	Pul 10.5-St-140HV	垫圈
36	956.1867	Thrust-bearing seal SE 9/10	Spurlagerdichtung SE 9/10	Junta grapaldina SE 9/10	Junta do mancal vertical SE 9/10	Dip yatağı contası SE 9/10	止推轴承密封套件
36a	953.4408	Sealing ring SE 9/10 Thrust-bearing seal	Dichtring SE 9/10 Spurlagerdichtung	Anillo de junta SE 9/10 Junta grapaldina	Anel de vedação SE 9/10 Junta do rotor	Sızdırmaz conta SE 9/10 yataklama contası	密封环 止推轴承密封
37	955.9315	Bearing unit	Lagereinheit	Unidad de cojinete	Mancal	Yataklama ünitesi	托盘轴承组合件
39	247.0382	Ball 12 mm SE 7-10	Kugel 12 mm SE 7-10	Bola 12 mm SE 7-10	Esfera 12 mm SE 7-10	Bilya 12 mm SE 7-10	钢珠
40	954.5970	Rocking arm complete	Kipphebel komplett	Palanca volteadora completo	Alavanca para tombar completo	Komple eğme grubu	斜面杆
41	10258842	Threaded pin M5x20-45H	Gewindestift M5x20-45H	Perno roscado M5x20-45H	Pino roscado M5x20-45H	Dişli pim M5x20-45H	螺钉
42	955.4221	Hang up part SE 9-12/SC/SQ9	Einhängeteil SE 9-12/SC/SQ9	Pieza de suspensión SE 9-12/SC/SQ9	Peça de suspensão SE 9-12/SC/SQ9	Asma parça SE 9-12/SC/SQ9	连接块
43	953.6213	Hang up ring SE 9-12/SC/SQ9	Einhängering SE 9-12/SC/SQ9	Anillo de suspensión SE 9-12/SC/SQ9	Anel de suspensão SE 9-12/SC/SQ9	Asma halka SE 9-12/SC/SQ9	挂钩
44	956.8196	Sealing ring SE 9/10	Dichtring SE 9/10	Anillo de junta SE 9/10	Anel de vedação SE 9/10	Sızdırmaz conta SE 9/10	密封环
45	953.3767	Oil container SE 9/10	Ölbehälter SE 9/10	Depósito de aceite SE 9/10	Recipiente de oleo SE 9/10	Yağ haznesi SE 9/10	油杯
46 <sup>3</sup>	958.4900	Rocking arm complete	Kipphebel komplett	Palanca volteadora completo	Alavanca para tombar completo	Komple eğme grubu	斜面杆套件
48	10258845	Hexagon nut M5-8	6kt-Mutter M5-8	Tuerca hexagonal M5-8	Porca sextavada M5-8	Altı köşe somun M5-8	六角头螺母
49	957.7527	Brake spring	Bremsfeder	Muelle de freno	Mola do freio	Fren yayı	分梳刹车弹簧
50	954.0234	ShockAbsorber complete	ShockAbsorber komplett	ShockAbsorber completo	ShockAbsorber completo	Komple şok emici	卷簧减震器
53	10258830	Cyl. screw M6x10	Zyl. Schraube M6x10	Tornillo cil. M6x10	Parafuso de cabeça cilindr. M6x10	Silindirik vida M6X10	内六角螺钉
54	10258854	Washer 6.4-St-100HV	Scheibe 6.4-St-100HV	Arandela 6.4-St-100HV	Disco 6.4-St-100HV	Pul 6.4-St-100HV	垫圈

<sup>1</sup> incl./包括序号 Pos. 14, 15 /dahil

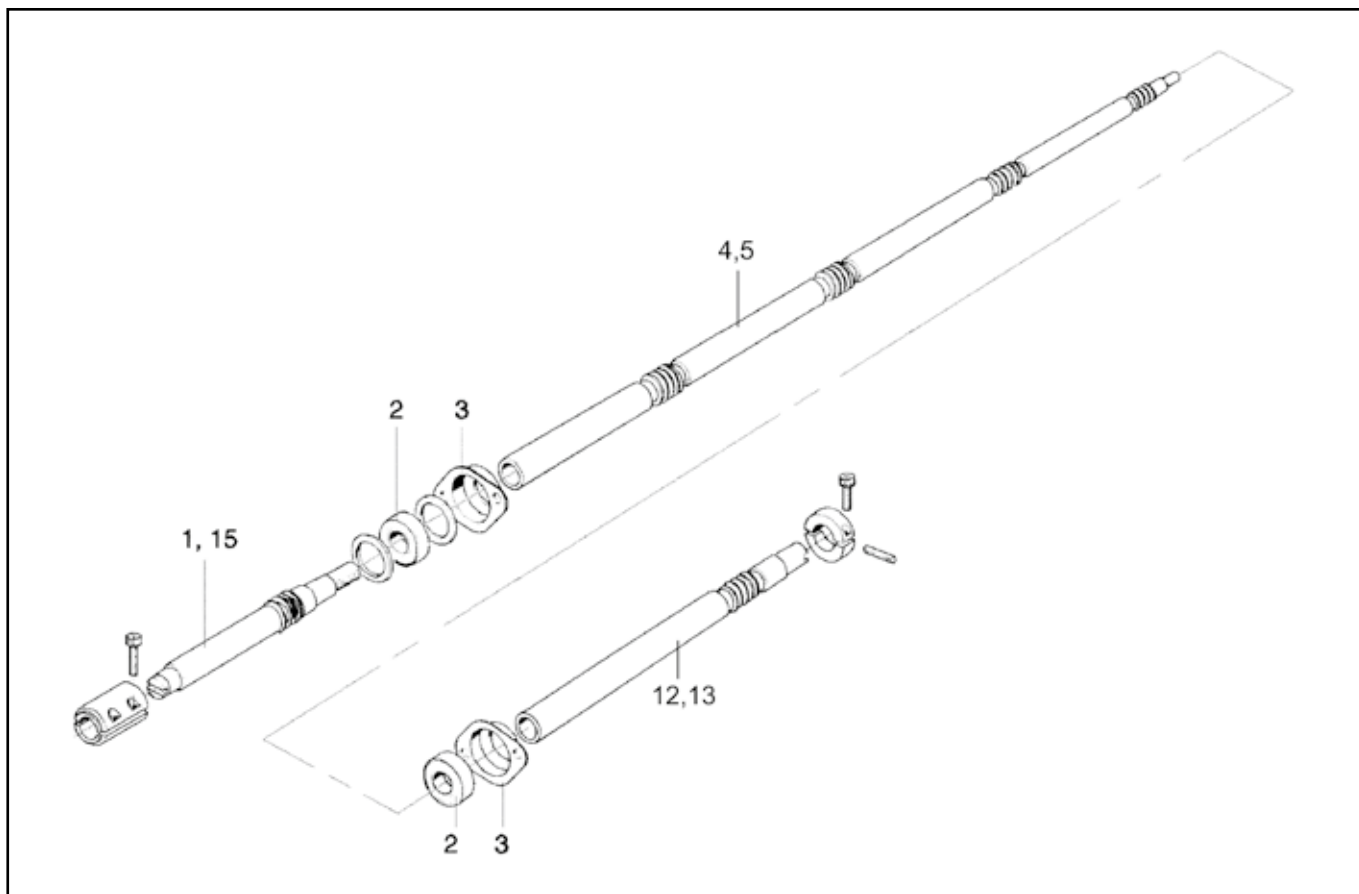
<sup>2</sup> incl./包括序号 Pos. 18, 20, 24, 25 /dahil

<sup>3</sup> incl./包括序号 Pos. 23, 26, 40-43, 48, 49 /dahil



Worm gear shaft / Schneckenwelle / Arbol de tornillo sin fin  
 Veio de sem-fins / Sonsuz Vida Dişlisi Mili / 蜗轮轴

Pos.	Order No.*	Description	Beschreibung	Descripción	Descrição	Açıklama	名称
1	952.9711	Worm shaft A/R SE 8-10	Schneckenwelle A/R SE 8-10	Arbol de sinfin A/R SE 8-10	Eixo do caracol A/R SE 8-10	Mil sağ bölümü, başlangıç A/R SE 8-10	轴节, 左手, 起始段
2	247.0365	Deep-groove ball bearing 20/42x12-6004-2	Ri.Kugellager 20/42x12-6004-2Z-C4	Cojinete de bolas aca- nalad. 20/42x12-600	Rolamento d.esferas ranhura 20/42x12-600	Yivli bilyalı yatak 20/42x12-6004-2	有槽滚珠轴承
3	958.2096	Flange SE 7-10/SC	Flansch SE 7-10/SC	Brida SE 7-10/SC	Flange SE 7-10/SC	Flanş SE 7-10/SC	法兰
4	952.9712	Worm shaft M/R SE 8-10	Schneckenwelle M/R SE 8-10	Arbol de sinfin M/R SE 8-10	Eixo do caracol M/R SE 8-10	Mil sağ bölümü, merkez M/L SE 8-10	轴节, 左手, 未段
5	952.9716	Worm shaft M/L SE 8-10	Schneckenwelle M/L SE 8-10	Arbol de sinfin M/L SE 8-10	Eixo do caracol M/L SE 8-10	Mil sol bölümü, merkez M/L SE 8-10	轴节, 左手, 未段
12	952.9713	Worm shaft E/R SE 8-10	Schneckenwelle E/R SE 8-10	Arbol de sinfin E/R SE 8-10	Eixo do caracol E/R SE 8-10	Mil sağ bölümü, son E/R SE 8-10	轴节, 左手, 未段
13	952.9717	Worm shaft E/L SE 8-10	Schneckenwelle E/L SE 8-10	Arbol de sinfin E/L SE 8-10	Eixo do caracol E/L SE 8-10	Mil sol bölümü, son E/L SE 8-10	轴节, 左手, 未段
15	952.9715	Worm shaft A/L SE 8-10	Schneckenwelle A/L SE 8-10	Arbol de sinfin A/L SE 8-10	Eixo do caracol A/L SE 8-10	Mil sol bölümü, başlangıç A/L SE 8-10	轴节, 左手, 起始段



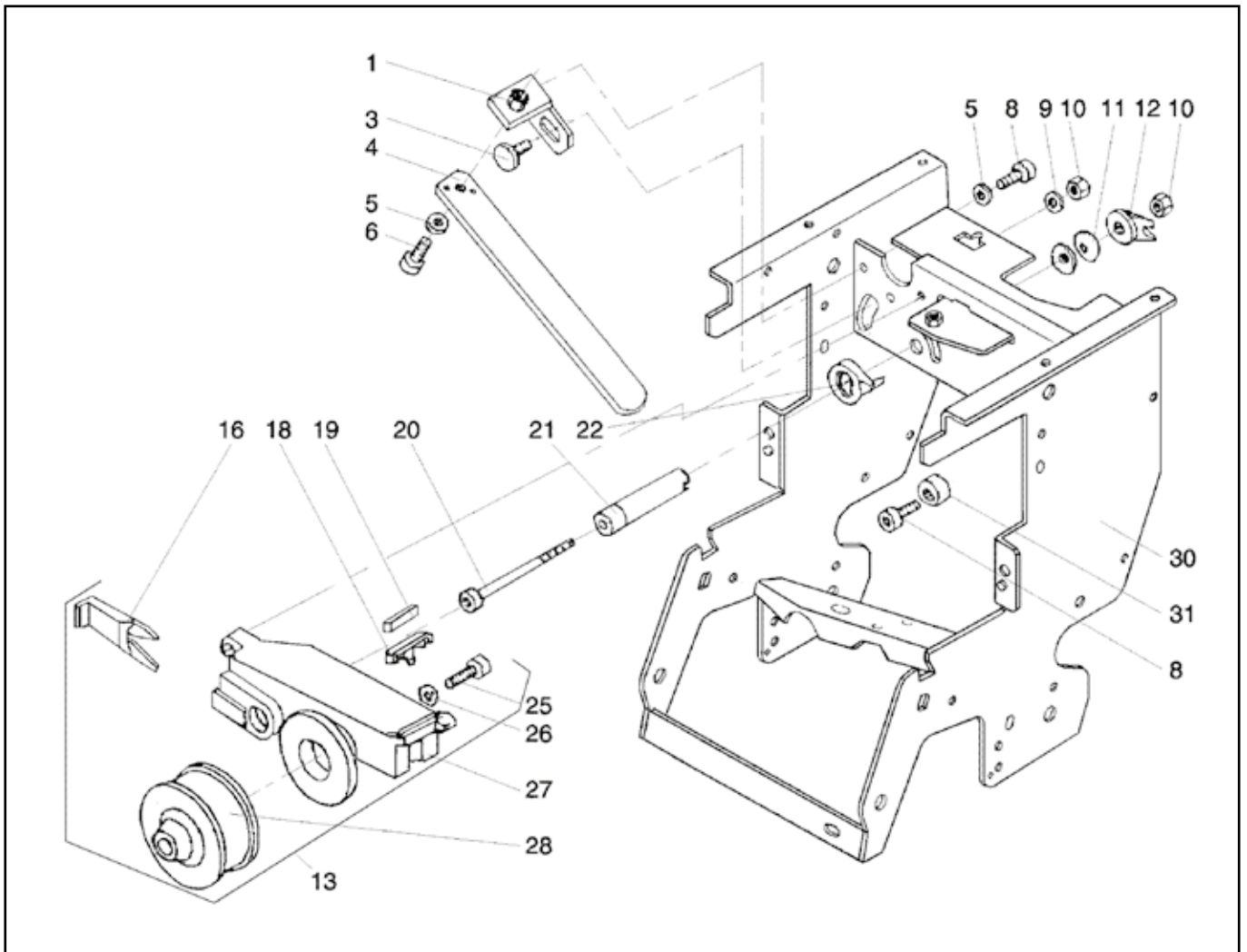
Tension roller suspension / Spannrollengehänge /  
 Colgador de rodillo tensor /  
 Suspensor de rolos tensores / Temas Silindiri Grubu / 压辊固定架

Pos.	Order No.*	Description	Beschreibung	Descripción	Descrição	Açıklama	名称
1	954.1450	Angle	Winkel	Angulo	Angulo	Bağlama elemanı	角铁
3	953.5663	Eccenter bolt	Exzenterbolzen	Perno excêntrico	Pino excêntrico	Kam pimi	销子
4	953.4666	Plate spring	Flachfeder	Muelle plano	Mola lamina	Yaprak yay	板簧
4a	10656672	Energy saving flat spring	Energiespar Blattfeder	Resorte de hoja a bajo consumo de energia	Mola de lamina poupança de energia	Enerji tasarruflu yaprak yay	板簧
5	10258849	Washer 5.3-St-140HV	Scheibe 5.3-St-140HV	Arandela 5.3-St-140HV	Disco 5.3-St-140HV	Pul 5.3-St-100HV	垫圈
6	10258840	Hex. screw M5x10	6kt-Schraube M5x10	Tornillo hex M5x10	Parafuso sextavado M5x10	Altı köşe başlı civata M5x10	六角螺钉
8	10258824	Cyl. screw M5x10	Zyl. Schraube M5x10	Tornillo cil. M5x10	Parafuso de cabeça cilindr. M5x10	Silindirik vida M5x10	内六角螺钉
9	10258850	Washer 6.4-St-140HV	Scheibe 6.4-St-140HV	Arandela 6.4-St-140HV	Disco 6.4-St-140HV	Pul 6.4-St-100HV	垫圈
10	10258844	Hexagon nut M6-8	6kt-Mutter M6-8	Tuerca hexagonal M6-8	Porca sextavada M6-8	Altı köşe somun M6-8	六角头螺母
11	10258882	Cup spring 18/6.2x0.8	Tellerfeder 18/6.2x0.8	Resorte de plato 18/6.2x0.8	Mola prato 18/6.2x0.8	Tabla yayı 18/6.2x0.8	盘形弹簧
12	953.8695	Nut	Mutter	Tuerca	Porca	Somun	螺母
13 <sup>1</sup>	10235116	Tension roller suspension	Spannrollengehänge	Colgador de rodillo tensor	Suspensor de rolos tensores	Süspansiyonlu komple baskı makarası	压辊固定架
16	953.3765	Safety lever SE9/10/SC/SQ9	Sicherungshebel SE9/10/SC/SQ9	Palanca de seguro SE9/10/SC/SQ9	Alavanca de segurança SE9/10/SC/SQ9	Emniyet kolu SE9/10/SC/SQ9	锁叉
18	953.4403	Pressure piece SE 9-12/SC	Druckstück SE 9-12/SC	Pieza de presión SE 9-12/SC	Peça de pressão SE 9-12/SC	Baskı parçası SE 9-12/SC	压力块
19	953.5569	Compensating piece red 5 mm SE 9-12/SC/SQ9	Ausgleichsstück rot 5 mm SE 9-12/SC/SQ9	Pieza de compensacion rojo 5 mm SE 9-12/SC/SQ9	Peça de compensação vermelho 5 mm SE 9-12/SC/SQ9	Dengeleme parçası kırmızı 5 mm SE 9-12/SC/SQ9	补偿块 红色
19	954.8617	Compensating piece green 7 mm SE 9-12/SC/SQ9	Ausgleichsstück grün 7 mm SE 9-12/SC/SQ9	Pieza de compensacion verde 7 mm SE 9-12/SC/SQ9	Peça de compensação verde 7 mm SE 9-12/SC/SQ9	Dengeleme parçası yeşil 7 mm SE 9-12/SC/SQ9	补偿块 绿色
20	10258827	Cyl. screw M6x80	Zyl. Schraube M6x80	Tornillo cil. M6x80	Parafuso de cabeça cilindr. M6x80	Silindirik vida M6x80	内六角螺钉
21	953.8402	Stud	Bolzen	Perno	Pino	Saplama	销
22	954.1326	Off-center lever SE 9	Taumlhebel SE 9	Palanca oscilante SE 9	Alavanca oscilante SE 9	Yalpalama kolu SE 9	偏心杆
25	203.0338	Cyl. screw M6x16	Zyl. Schraube M6x16	Tornillo cil. M6x16	Parafuso de cabeça cilindr. M6x16	Silindirik vida M6x16	内六角螺钉
26	10258880	Cup spring 15/6.2x0.6	Tellerfeder 15/6.2x0.6	Resorte de plato 15/6.2x0.6	Mola prato 15/6.2x0.6	Tabla yayı 12/5.2x0.6	盘形弹簧
27 <sup>2</sup>	958.0222	Tension roller holder complete	Spannrollenhalter komplett	Colgador de rodillo tensor completo	Suspensor de rolo tensor completo	Temas kasnağı tutucusu, komple	压辊U形夹
28	10558493	Tension roller SE 9-12 / SQ 9	Spannrolle SE 9-12 / SQ 9	Rodillo tensor SE 9-12 / SQ 9	Rolo de pressão SE 9-12 / SQ 9	Baskı makarası SE 9-12 / SQ 9	压辊
30	957.2734	Frame SE 9	Rahmen SE 9	Marco SE 9	Batente SE 9	SE 9 gövdesi	纺纱箱机架
31	955.0397	Eccentric - stop	Exzenter - Anschlag	Excêntrico - tope	Excêntrico - encosto	Kam durdurucusu	凸轮挡块

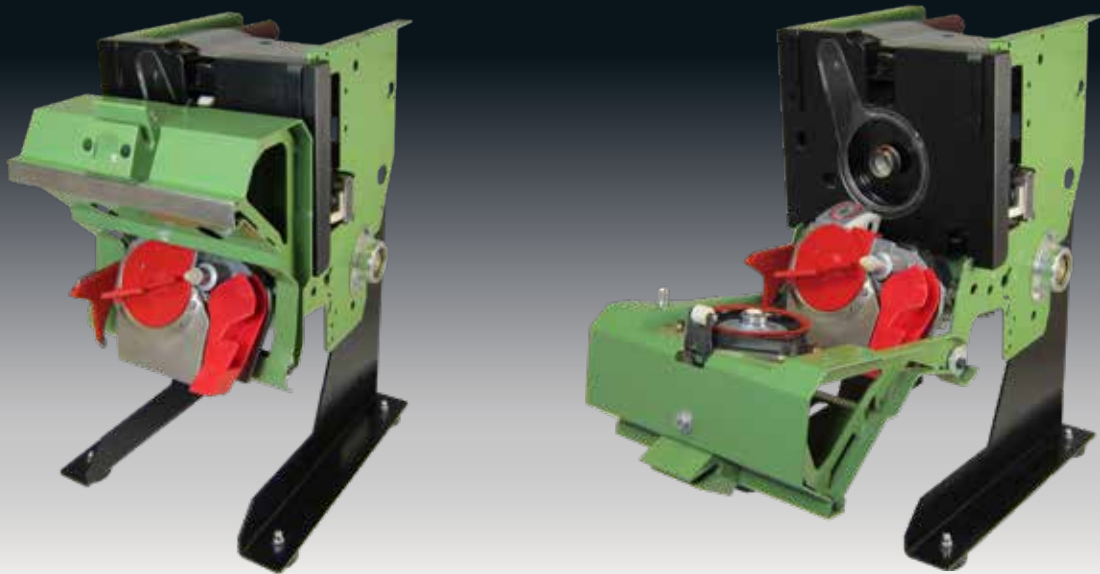
<sup>1</sup> incl./包括序号 Pos. 25- 28 /dahil

<sup>2</sup> incl./包括序号 Pos. 16, 18 /dahil







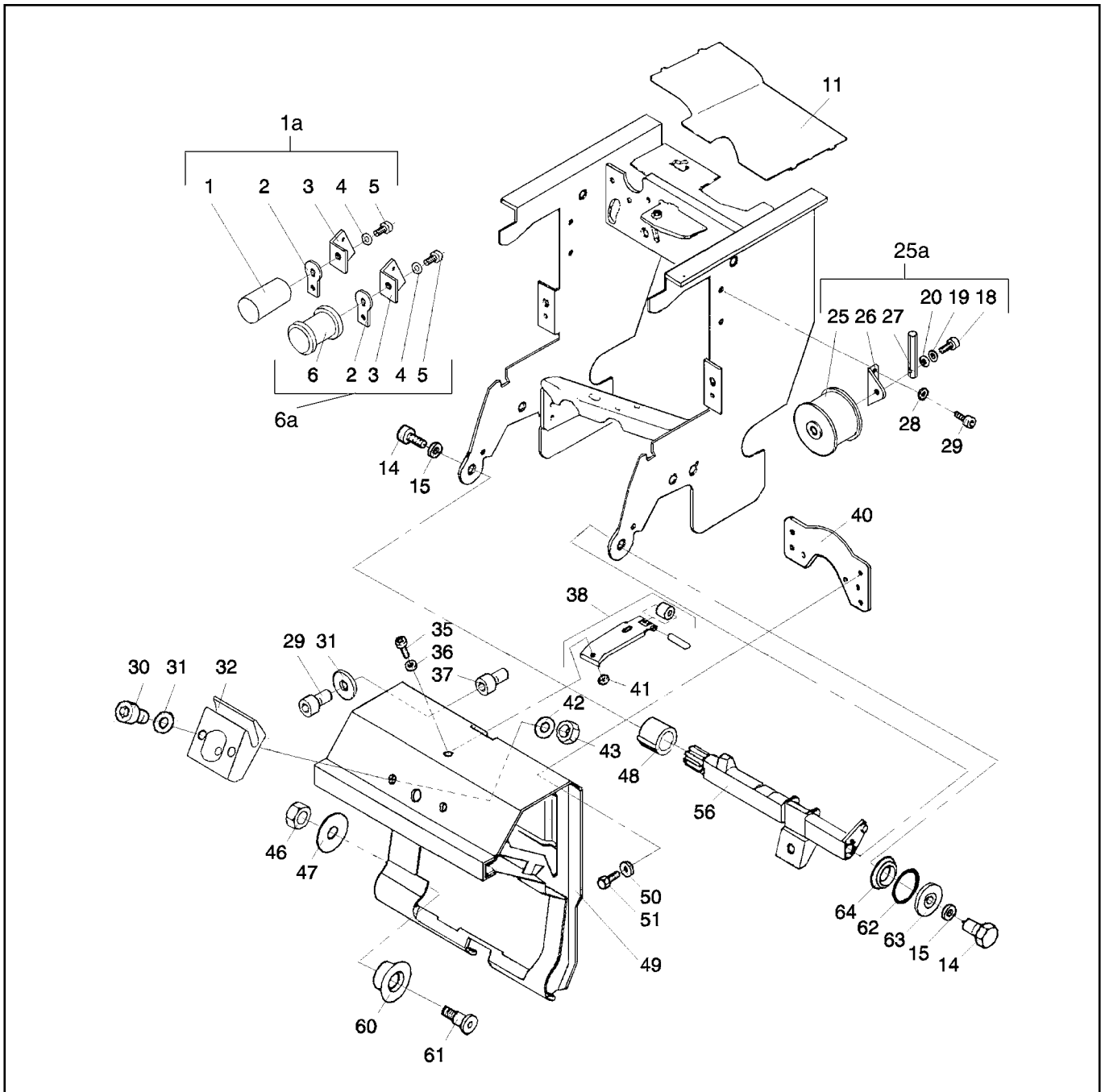


SpinBox SE 10

# SpinBox Cover / SpinBox Verdeck / SpinBox Tapa / SpinBox Tampa /SpinBox Kapağı / SpinBox 纺纱箱外罩

Pos.	Order No.*	Description	Beschreibung	Descripción	Descrição	Açıklama	名称
1	802.7157	Press roller KU 271 SE 8-10 without flange	Andrückrolle KU 271 SE 8-10 ohne Bund	Rodillo tensor KU 271 SE 8-10 sin brida	Rolo de pressão KU 271 SE 8-10 sem flange	Baskı makarası flanşsız	无法兰导轮
1a	953.6205	Press roller complete	Andrückrolle komplett	Rodillo tensor completo	Rolo de pressão completo	Komple baskı makarası	去掉压辊套件
2	953.0973	Adjusting lever	Justierhebel	Palanca de ajuste	Alavanca de regulação	Ayar Kolu	调节杆
3	953.5205	Retaining bracket	Haltewinkel	Angulo de fijacion	Angulo de fixação	Sabitleme elemanı	角铁
4	225.0031	Spring ring 6	Federring 6	Anillo de resorte 6	Arruela de pressão 6	Esnek halka 6	弹簧圈
5	203.0339	Cyl. screw M6x20	Zyl. Schraube M6x20	Tornillo cil. M6x20	Parafuso de cabeça cilindr. M6x20	Silindirik Vida M6x20	圆柱螺钉
6	11084153	Press roller KU 271-3 SE 7-10	Andrückrolle KU 271-3 SE 7-10	Rodillo tensor KU 271-3 SE 7-10	Rolo de pressão KU 271-3 SE 7-10	Baskı makarası KU 271-3 SE 7-10	分梳龙带导轮
6a	954.6911	Press roller complete	Andrückrolle komplett	Rodillo tensor completo	Rolo de pressão completo	Komple baskı makarası	去掉压辊套件
11	953.1117	Cape hood	Verdeck	Cubierta	Capota	Kapak	盖子
14	10258841	Hex. screw M6x10	6kt-Schraube M6x10	Tornillo hex M6x10	Parafuso sextavado M6x10	Altı köşe başlı civata M6x10	六角螺钉
15	10258854	Washer 6.4-St-100HV	Scheibe 6.4-St-100HV	Arandela 6.4-St-100HV	Disco 6.4-St-100HV	Pul 6.4-St-100HV	垫圈
18	10258929	Cyl.screw M6x30	Zyl. Schraube M6x30	Tornillo cil. M6x30	Parafuso de cabeça cilindr. M6x30	Silindirik Vida M6x30	圆柱螺钉
19	10003108	Locking disc 6.4/10	Sicherungsscheibe 6.4/10	Disco de seguro 6.4/10	Anilha de aperto 6.4/10	Kilitleme rondelasi 6.4/10	卡簧
20	10258850	Washer 6.4-St-140HV	Scheibe 6.4-St-140HV	Arandela 6.4-St-140HV	Disco 6.4-St-140HV	Pul 6.4-St-100HV	垫圈
25	956.2460	Guide roller complete SE 9-12/SC/SQ9	Begrenzungsrolle komplett SE 9-12/SC/SQ9	Rodillo limitador completo SE 9-12/SC/SQ9	Rolo de limite completo SE 9-12/SC/SQ9	Komple sınırlama rolesi SE 9-12/SC/SQ9	导向辊 整件
25a <sup>1</sup>	10235202	Guide roller complete SE 9/10	Begrenzungsrolle komplett SE 9/10	Rodillo limitador completo SE 9/10	Rolo de limite completo SE 9/10	Komple sınırlama rolesi SE 9/10	导向辊 整件
26	953.5336	Holder guide roller	Halter Begrenzungsrolle	Soporte rodillo limitador	Suporte rolo de limite	Rehber makarası tutucusu	压轮
27	953.8691	Stud 6kt	Bolzen 6kt	Perno 6kt	Pino 6kt	Saplama 6kt	六角销子
28	225.0030	Spring ring B 5	Federring B 5	Anillo de resorte B 5	Arruela de pressão B 5	Esnek halka B 5	弹簧圈
29	10258824	Cyl. screw M5x10	Zyl. Schraube M5x10	Tornillo cil. M5x10	Parafuso de cabeça cilindr. M5x10	Silindirik vida M5x10	圆柱螺钉
30	203.0314	Cyl. screw M5x20	Zyl. Schraube M5x20	Tornillo cil. M5x20	Parafuso de cabeça cilindr. M5x20	Silindirik vida M5x20	圆柱螺钉
31	10258849	Washer 5.3-St-140HV	Scheibe 5.3-St-140HV	Arandela 5.3-St-140HV	Disco 5.3-St-140HV	Pul 5.3-St-100HV	垫圈
32	951.6947	Opener block SE 7-10/SQ	Öffnerstück SE 7-10/SQ	Pieza de apertura SE 7-10/SQ	Peça de abertura SE 7-10/SQ	Açma bloğu SE 7-10/SQ	纺纱箱开启扳动块
35	10258836	Oval head screw M6x12	Linsenschraube M6x12	Tornillo con cabeza de vaso M6x12	Parafuso de cab.lenticular M6x12	Yassı başlı vida M6x12	半圆头螺栓
36	956.1698	Washer 6,4x18x1,6	Scheibe 6,4x18x1,6	Arandela 6,4x18x1,6	Disco 6,4x18x1,6	Pul 6,4x18x1,6	垫圈
37	953.1865	Centering SE 8-10	Zentrierung SE 8-10	Centraje SE 8-10	Centragem SE 8-10	Merkezleme Parçası SE 8-10	对中垫块
38	957.4389	Flat spring SE 10	Blattfeder SE 10	Resorte de hoja SE 10	Mola de lamina SE 10	Yaprak yay SE 10	板簧
40	953.0611	Centering plate	Zentrierplatte	Placa de centraje	Placa de centragem	Merkezleme Plakası	对基板
41	10126422	Square nut M6-5	4kt-Mutter M6-5	Tuerca cuadrangular M6-5	Porca quadrada M6-5	Kare somun M6-5	方螺母
42	10258881	Cup spring 12/5.2x0.6	Tellerfeder 12/5.2x0.6	Resorte de plato 12/5.2x0.6	Mola prato 12/5.2x0.6	Tabla yayı 12/5.2x0.6	盘形弹簧
43	10258845	Hexagon nut M5-8	6kt-Mutter M5-8	Tuerca hexagonal M5-8	Porca sextavada M5-8	Altı köşe somun M5-8	六角头螺母
46	10258844	Hexagon nut M6-8	6kt-Mutter M6-8	Tuerca hexagonal M6-8	Porca sextavada M6-8	Altı köşe somun M6-8	六角头螺母
47	10258882	Cup spring 18/6.2x0.8	Tellerfeder 18/6.2x0.8	Resorte de plato 18/6.2x0.8	Mola prato 18/6.2x0.8	Tabla yayı 18/6.2x0.8	盘形弹簧
48	956.8274	Bearing bushing left SE 10	Lagerbuchse links SE 10	Buje de cojinete izquierdo SE 10	Bucha do mancal esquerdo SE 10	Yatak kovani sol SE 10	轴承衬套 左

<sup>1</sup> incl./包括序号 Pos. 18-20, 25- 27 /dahil



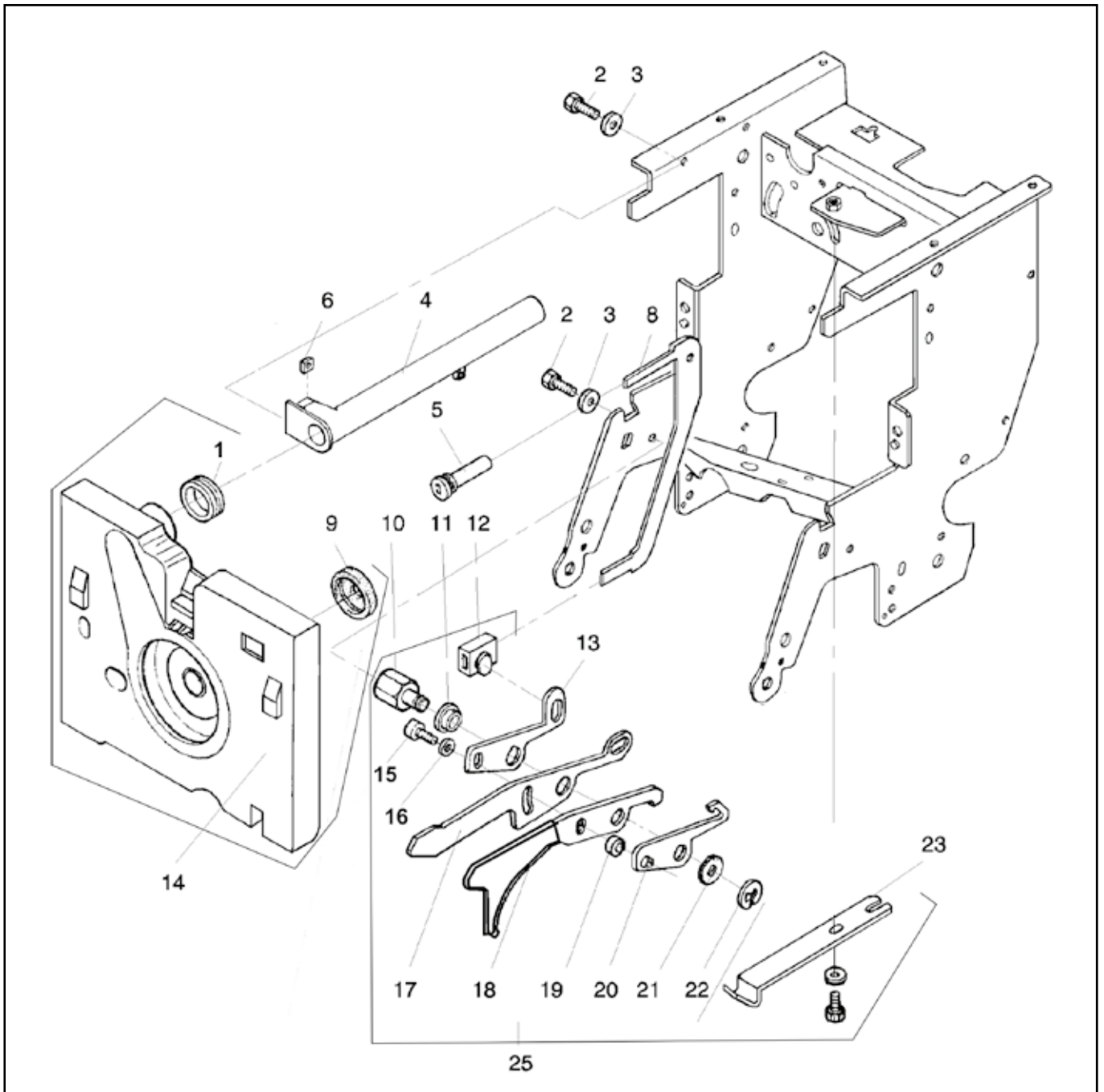
Pos.	Order No.*	Description	Beschreibung	Descripción	Descrição	Açıklama	名称
49	956.7554	Lid SE 10	Deckel SE 10	Chapa SE 10	Tampa SE 10	Kapak SE 10	盖子
50	10258880	Cup spring 15/6.2x0.6	Tellerfeder 15/6.2x0.6	Resorte de plato 15/6.2x0.6	Mola prato 15/6.2x0.6	Tabla yayı 12/5.2x0.6	盘形弹簧
51	201.0111	Hex. screw M 6 X 8	6kt-Schraube M 6 X 8	Tornillo hex M 6 X 8	Parafuso sextavado M 6 X 8	Altı köşe başlı civata M 6 X 8	六角螺钉
56	956.4944	Swivel pin SE 10	Tragbolzen SE 10	Pasador pivote SE 10	Pino de suporte SE 10	Döndürme pimi SE 10	旋转销
60	10158352	Locking roll set 24	Verriegelungsrolle Set 24	Rodillo de bloqueo set 24	Rolo de bloqueio set 24	Kilitleme bobini (24 adet)	锁紧辊 (24个)
61	955.7742	Flanged bolt SE9	Bundbolzen SE9	Perno con collar SE9	Cavilha de colar SE9	Flanş civatası SE 9	销子
62	953.6208	Compensating disc 22,5x29,7x0,3	Ausgleichscheibe 22,5x29,7x0,3	Disco compensador 22,5x29,7x0,3	Arruela de compensação 22,5x29,7x0,3	Dengeleme Rondelası 22,5x29,7x0,3	补偿垫圈
63	956.4947	Swivel pin R SE 10	Schwenkbolzen R SE 10	Perno giratorio R SE 10	Cavilha giratoria R SE 10	Döndürme pimi R SE 10	旋转销
64	953.2773	Bearing bushing right SE 8-10	Lagerbuchse rechts SE 8-10	Buje de cojinete derecho SE 8-10	Bucha do mancal direito SE 8-10	Yatak kovani sağ SE 8-10	轴承衬套 右

# Locking Device / Verriegelung / Dispositivo de bloqueo / Dispositivo de bloqueio / Kilitleme Donanımı / 锁紧装置

Pos.	Order No.*	Description	Beschreibung	Descripción	Descrição	Açıklama	名称
1	953.0738	Sealing ring SE 7-12/SC/SQ	Dichtring SE 7-12/SC/SQ	Anillo de junta SE 7-12/SC/SQ	Anel de vedação SE 7-12/SC/SQ	Sızdırmaz conta SE 7-12/SC/SQ	黑板后密封圈
2	10258840	Hex. screw M5x10	6kt-Schraube M5x10	Tornillo hex M5x10	Parafuso sextavado M5x10	Altı köşe başlı civata M5x10	六角螺钉
3	10258853	Washer 5.3-St-100HV	Scheibe 5.3-St-100HV	Arandela 5.3-St-100HV	Disco 5.3-St-100HV	Pul 5.3-St-100HV	垫圈
4	954.0152	Suction tube	Absaugrohr	Tubo de aspiracion	Tubo de aspiração	Emiş borusu	吸管
5	954.9855	Guide sleeve SE 9-12/SC/SQ9	Führungshülse SE 9-12/SC/SQ9	Tubo de guia SE 9-12/SC/SQ9	Tubo bucha SE 9-12/SC/SQ9	Kılavuz sac levha SE 9-12/SC/SQ9	导件
6	953.9587	Thin nut SE 9-12/SC/ SQ9	Flachmutter SE 9-12/SC/SQ9	Tuerca cuadrada SE 9-12/SC/SQ9	Porca quadrada SE 9-12/SC/SQ9	İnce somun SE 9-12/SC/SQ9	方形螺母
8	954.9854	Lift bow	Abhebebügel	Estribo de alzada	Estribo de suspender	Kaldırma mesnedi	提升弓
9	954.1036	Seal collar SE 9-12/SC/SQ9	Dichtmanschette SE 9-12/SC/SQ9	Manguito hermetico SE 9-12/SC/SQ9	Guarnição de vedação SE 9-12/SC/SQ9	Conta SE 9-12/SC/SQ9	黑板中心密封圈
10	955.0922	Stud	Bolzen	Perno	Pino	Saplama	销
11	954.5101	Bearing bushing SE9	Lagerbuchse SE9	Buje de cojinete SE9	Bucha do mancal SE9	Yatak kovani SE9	轴承衬套 右
12	954.9856	Transfer bushing SE 9-12/SC/SQ9	Übertragungshülse SE 9-12/SC/SQ9	Tubo de transmision SE 9-12/SC/SQ9	Tubo de transferencia SE 9-12/SC/SQ9	Aktarma kovani SE 9-12/SC/SQ9	输动衬套
13	955.2928	Lift lever	Abhebehebel	Palanca de alzada	Alavanca de suspender	Kaldırma mesnedi	升降支杆
14	957.2736	Rotor housing	Rotorgehäuse	Caja del rotor	Caixa de rotor	Rotor muhafazası	不含密封圈黑板
14a <sup>1</sup>	957.2737	Rotor housing complete SE 9/10	Rotorgehäuse komplett SE 9/10	Caja del rotor completo SE 9/10	Caixa de rotor completo SE 9/10	Rotor muhafazası komple SE 9/10	整套黑板
15	203.0338	Cyl. screw M6x16	Zyl. Schraube M6x16	Tornillo cil. M6x16	Parafuso de cabeça cilindr. M6x16	Silindirik Vida M6x16	圆柱螺钉
16	955.6633	Washer 6,4 x 12,5 x 1,6	Scheibe 6,4 x 12,5 x 1,6	Arandela 6,4 x 12,5 x 1,6	Disco 6,4 x 12,5 x 1,6	Pul 6,4 x 12,5 x 1,6	垫圈
17	955.2264	Pressure lever	Druckhebel	Palanca de presion	Alavanca de pressão	Baskı Kolu	压力杆
18	956.7470	Control lever SE 10	Steuerhebel SE 10	Pallanca de mando SE 10	Alavanca de comando SE 10	Kontrol Kolu SE 10	纺杯制动杆
19	955.2262	Bushing 6x12x3.5	Buchse 6x12x3.5	Buje 6x12x3.5	Bucha 6x12x3.5	Burç 6x12x3.5	衬套
20	954.4383	Connecting lever	Einhängehebel	Palanca de conexión	Alavanca de engate	Bağlantı Kolu	连接杆
21	953.3916	Distance ring SE 9	Distanzring SE 9	Anillo distanciador SE 9	Anel de afastamento SE 9	Mesafe Pulu SE 9	隔距环
22	226.0088	Locking disc 9	Sicherungsscheibe 9	Disco de seguro 9	Anilha de aperto 9	Kilitleme rondelasi 9	卡簧
23	953.5337	Retaining spring rotor housing SE 9	Haltefeder Rotorgehäuse SE 9	Resorte de retencion caja del rotor SE 9	Mola de fixação caixa de rotor SE 9	Rotor yataklama emniyet yayı SE 9	止动弹簧片
25 <sup>2</sup>	956.8199	Control unit SE 10	Steuereinheit SE 10	Mando SE 10	Comando SE 10	Kontrol Birimi SE 10	控制装置

<sup>1</sup> incl./包括序号 Pos. 1, 9, 14 /dahil

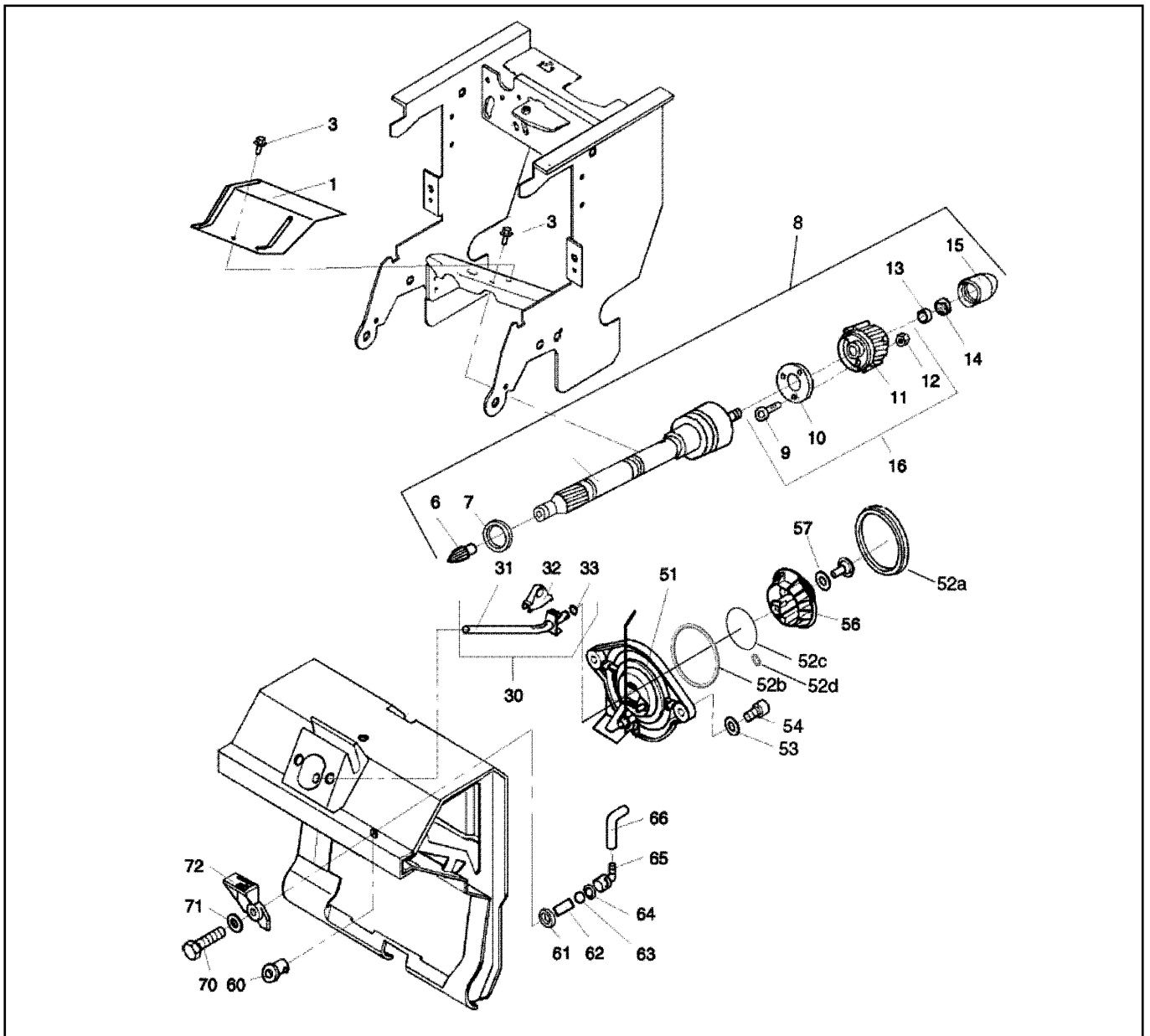
<sup>2</sup> incl./包括序号 Pos. 5, 8, 10-13, 15-22 /dahil



# Opening Assembly Housing / Schwenkgehäuse / Cajilla oscilante / Caixa giratória / Açıcı Ünitesi Yuvası / 分梳套件箱

Pos.	Order No.*	Description	Beschreibung	Descripción	Descrição	Açıklama	名称
1	954.0513	Cape hood	Verdeck	Cubierta	Capota	Kapak	盖子
3	289.3008	Hex. screw M6x18	6kt-Schraube M6x18	Tornillo hex M6x18	Parafuso sextavado M6x18	Altı köşe başlı civata M6x18	六角螺钉
6	952.3024	Coupling cone SE 7-20	Kupplungskegel SE 7-20	Cono de acoplamiento SE 7-20	Cone de engrenagem SE 7-20	Kavrama konisi SE 7-20	驱动锥体
7	954.6213	Stop SE 8-10	Anschlag SE 8-10	Tope SE 8-10	Encosto SE 8-10	Durdurma SE 8-10	假捻器 8-10
8 <sup>1</sup>	957.4767	Coupling gear SE 10	Kupplungstriebe SE 10	Unidad/mando/cil. aliment SE 10	Embreagem SE 10	Kavrama dişlisi SE 10	齿轮联轴节
9	289.2718	Oval head screw	Linsenschraube	Tornillo con cabeza de vaso	Parafuso de cab. lenticular	Yassı başlı vida	半圆头螺栓
10	955.0663	Armature plate SE 7-10/SC/SQ	Ankerscheibe SE 7-10/SC/SQ	Disco magnético SE 7-10/SC/SQ	Disco do induzido SE 7-10/SC/SQ	Armatür plakası SE 7-10/SC/SQ	离合器磁片
11	958.6701	Worm gear SE 7-10/SQ	Schneckenrad SE 7-10/SQ	Rueda de tornillo sin fin SE 7-10/SQ	Roda sem fim SE 7-10/SQ	Besleme dişlisi SE 7-10/SQ	给棉齿轮
11a	10447234	Worm gear SE 7-10/SQ slub yarn device	Schneckenrad SE 7-10/SQ Effektgameinrichtung	Rueda de tornillo sin fin SE 7-10/SQ Dispositivo para hilos de fantasia	Roda sem fim SE 7-10/SQ Dispositivo para fios fantasia	Sonsuz vida dişlisi Besleme dişlisi SE 7-10/SQ	竹节纱装置用给棉齿轮
12	10258843	Hexagon nut M3-8	6kt-Mutter M3-8	Tuerca hexagonal M3-8	Porca sextavada M3-8	Altı köşe somun M3-8	六角头螺母
13	952.7953	Washer 9,2x13,1x1,8 SE 7-10/SC/SQ	Scheibe 9,2x13,1x1,8 SE 7-10/SC/SQ	Arandela 9,2x13,1x1,8 SE 7-10/SC/SQ	Disco 9,2x13,1x1,8 SE 7-10/SC/SQ	Pul 9,2x13,1x1,8 SE 7-10/SC/SQ	垫圈
14	10258870	Locking disc 7	Sicherungsscheibe 7	Disco de seguro 7	Anilha de aperto 7	Kilitleme rondelasi 7	卡簧
15	951.1986	End cover SE 7-10/SC/SQ	Abschlussdeckel SE 7-10/SC/SQ	Tapa de cierre SE 7-10/SC/SQ	Tampa de fechamento SE 7-10/SC/SQ	Uç kapağı SE 7-10/SC/SQ	端盖
16 <sup>2</sup>	958.6891	Worm gear complete SE7/8/9/10/SQ	Schneckenrad komplett SE7/8/9/10/SQ	Rueda de tornillo sin fin completo SE7/8/9/10/SQ	Roda sem fim completo SE7/8/9/10/SQ	Şantuk aparatı için komple Besleme dişlisi SE 7-10/SQ	带磁片给棉齿轮
16a	10447236	Worm gear SE 7-10/SQ slub yarn device complete	Schneckenrad SE 7-10/SQ Effektgameinrichtung komplett	Rueda de tornillo sin fin SE 7-10/SQ para dispositivo de hilo de fantasia compl.	Roda sem fim SE 7-10/SQ para dispositivo para fios fantasia compl.	Besleme dişlisi komple SE7/8/9/10/SQ	竹节纱装置用带磁片式给棉齿轮
30	958.6875	Torque Stop green SE 10 complete	Torque Stop grün SE 10 komplett	Torque Stop verde SE 10 completo	Torque Stop verde SE 10 completo	Büküm durdurucu, SE 10 yeşil komple	黑色假捻器带引纱管整套
30	958.6876	Torque Stop red SE 10 complet	Torque Stop rot SE 10 komplett	Torque Stop rojo SE 10 completo	Torque Stop vermelho SE 10 completo	Büküm durdurucu, SE 10 kırmızı komple	绿色假捻器带引纱管整套
30	958.6877	Torque Stop black SE 10 complete	Torque Stop schwarz SE 10 komplett	Torque Stop negro SE 10 completo	Torque Stop preto SE 10 completo	Büküm durdurucu, SE 10 siyah komple	红色假捻器带引纱管整套
30 <sup>4</sup>	958.6878	Torque Stop white SE 10 complete	Torque Stop weiß SE 10 komplett	Torque Stop blanco SE 10 completo	Torque Stop branco SE 10 completo	Büküm durdurucu, SE 10 beyaz komple	白色假捻器带引纱管整套
31 <sup>3</sup>	957.5332	Take-off tube complete SE 10	Abzugsrohr komplett SE 10	Tubo de salida completo SE 10	Tubo de entrega completo SE 10	Komple çıkış borusu SE 10	陶瓷引纱管整套
32	957.5120	Torque Stop Clip green SE 7-10/SC/SQ	Torque Stop Clip grün SE 7-10/SC/SQ	Torque Stop Clip verde SE 7-10/SC/SQ	Torque Stop Clip verde SE 7-10/SC/SQ	Büküm durdurucu klipsi yeşil SE 7-10/SC/SQ	假捻器夹黑色
32	957.5122	Torque Stop Clip red SE 7-10/SC/SQ	Torque Stop Clip rot SE 7-10/SC/SQ	Torque Stop Clip rojo SE 7-10/SC/SQ	Torque Stop Clip vermelho SE 7-10/SC/SQ	Büküm durdurucu klipsi, kırmızı SE 7-10/SC/SQ	假捻器夹绿色
32	957.5123	Torque Stop Clip white SE 7-10/SC/SQ	Torque Stop Clip weiss SE 7-10/SC/SQ	Torque Stop Clip blanco SE 7-10/SC/SQ	Torque Stop Clip branco SE 7-10/SC/SQ	Büküm durdurucu klipsi beyaz SE 7-10/SC/SQ	假捻器夹红色
32	957.5121	Torque Stop Clip black SE 7-10/SC/SQ	Torque Stop Clip schwarz SE 7-10/SC/SQ	Torque Stop Clip negro SE 7-10/SC/SQ	Torque Stop Clip preto SE 7-10/SC/SQ	Büküm durdurucu klipsi siyah SE 7-10/SC/SQ	假捻器夹白色
33	958.1005	O-ring D 2,8 SE 10	O-Ring D 2,8 SE 10	Anillo-O D 2,8 SE 10	Anel "O" D 2,8 SE 10	O-bileziği D 2,8 SE 10	O型密封圈
51	958.6832	Support plate SE 10	Stützplatte SE 10	Placa de apoyo SE 10	Placa de suporte SE 10	Destek plakası SE 10	阻捻盘底座
52a	954.1059	Sealing ring SE 7-10	Dichtring SE 7-10	Anillo de junta SE 7-10	Anel de vedação SE 7-10	Sızdırmaz conta SE 7-10	密封环
52b	957.4679	Sealing ring SE 10	Dichtring SE 10	Anillo de junta SE 10	Anel de vedação SE 10	Sızdırmaz conta SE 10	密封环





<sup>1</sup> incl./包括序号 Pos. 6, 7, 9-15 /dahil

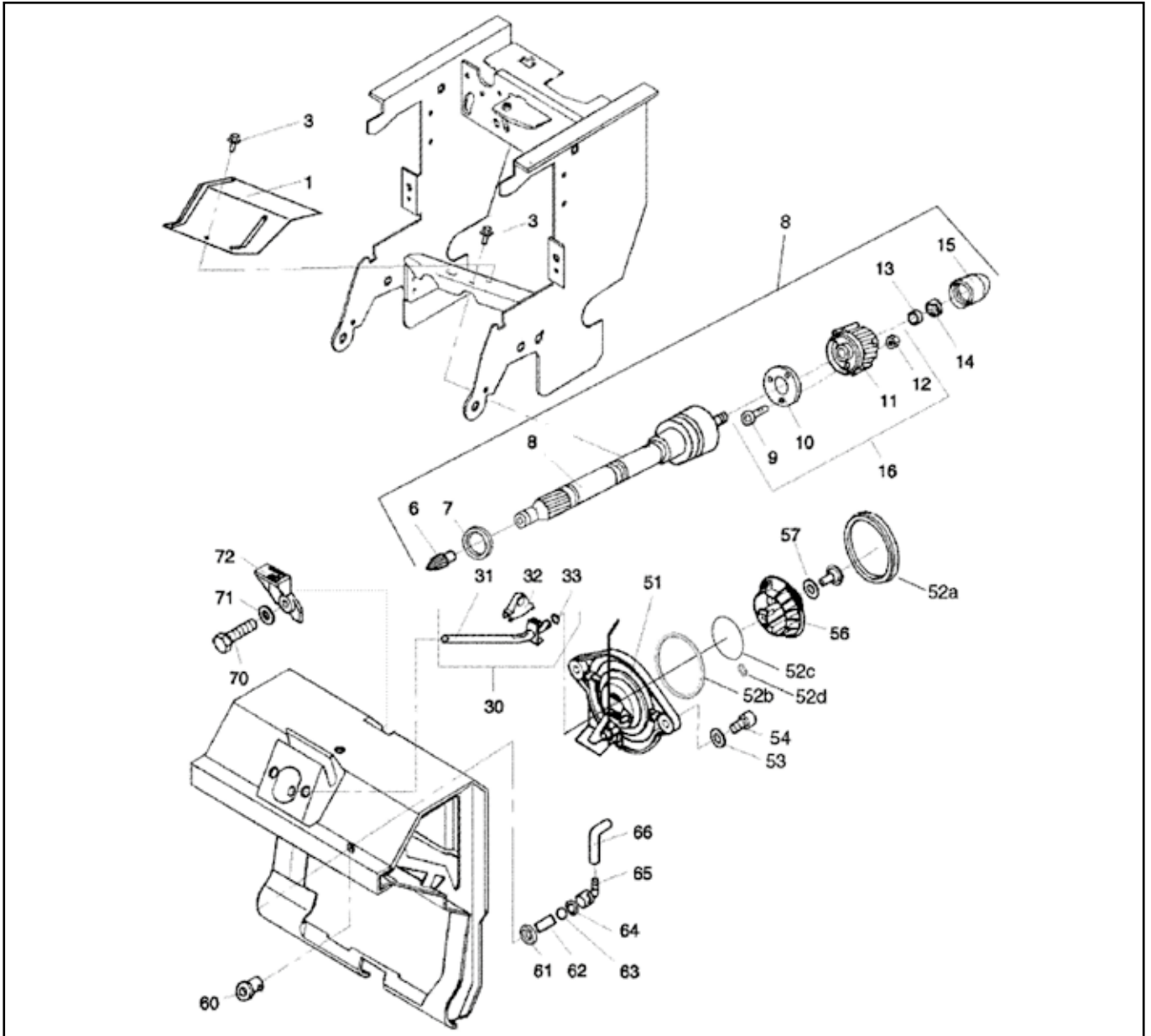
<sup>2</sup> incl./包括序号 Pos. 9-12 /dahil

<sup>3</sup> incl./包括序号 Pos. 33 /dahil

<sup>4</sup> incl./包括序号 Pos. 31-33 /dahil

# Opening Assembly Housing / Schwenkgehäuse / Cajilla oscilante / Caixa giratória / Açıcı Ünitesi Yuvası / 分梳套件箱

Pos.	Order No.*	Description	Beschreibung	Descripción	Descrição	Açıklama	名称
52c	957.6028	Sealing ring new SE 10	Dichtring neu SE 10	Anillo de junta nuevo SE 10	Anel de vedação novo SE 10	Sızdırmaz conta yeni SE 10	新密封环
52d	957.4678	Sealing ring old SE 10	Dichtring alt SE 10	Anillo de junta antiguo SE 10	Anel de vedação antigo SE 10	Sızdırmaz conta eski SE 10	旧密封环
53	225.0031	Spring ring 6	Federring 6	Anillo de resorte 6	Arruela de pressão 6	Esnek halka 6	弯型接头
54	203.0635	Cyl. screw M6X10	Zyl. Schraube M6X10	Tornillo cil. M6X10	Parafuso de cabeça cilindr. M6X10	Silindirik vida M6X10	弹簧圈
56	957.7502	Channel plate adapter 28 SE10	Kanalplatte Adapter 28 SE10	Placa de canal adaptador 28 SE10	Placa do canal adaptador 28 SE10	Kanal Plakası Adaptörü 28 SE 10	内六角螺钉
56	957.6225	Channel plate adapter 31 SE 10	Kanalplatte Adapter 31 SE 10	Placa de canal adaptador 31 SE 10	Placa do canal adaptador 31 SE 10	Kanal Plakası Adaptörü 31 SE 10	阻捻盘结合器
56	957.6242	Channel plate adapter 36 SE 10	Kanalplatte Adapter 36 SE 10	Placa de canal adaptador 36 SE 10	Placa do canal adaptador 36 SE 10	Kanal Plakası Adaptörü 36 SE 10	阻捻盘结合器
56	957.6228	Channel plate adapter 40 SE 10	Kanalplatte Adapter 40 SE 10	Placa de canal adaptador 40 SE 10	Placa do canal adaptador 40 SE 10	Kanal Plakası Adaptörü 40 SE 10	阻捻盘结合器
56	957.8379	Channel plate adapter 46 SE 10	Kanalplatte Adapter 46 SE 10	Placa de canal adaptador 46 SE 10	Placa do canal adaptador 46 SE 10	Kanal Plakası Adaptörü 46 SE 10	阻捻盘结合器
56	957.8463	Channel plate adapter 56 SE 10	Kanalplatte Adapter 56 SE 10	Placa de canal adaptador 56 SE 10	Placa do canal adaptador 56 SE 10	Kanal Plakası Adaptörü 56 SE 10	阻捻盘结合器
57	10097649	Magnet washer 1,5 SE 10-20/SC/SQ	Magnet Scheibe 1,5 SE 10-20/SC/SQ	Iman arandela 1,5 SE 10-20/SC/SQ	Magneto disco 1,5 SE 10-20/SC/SQ	Mıknatıslı Navel Pulu 1,5 SE 10-20/SC/SQ	阻捻头磁铁垫圈
57	10097650	Magnet washer 3,0 SE 10-20/SC/SQ	Magnet Scheibe 3,0 SE 10-20/SC/SQ	Iman arandela 3,0 SE 10-20/SC/SQ	Magneto disco 3,0 SE 10-20/SC/SQ	Mıknatıslı Navel Pulu 3,0 SE 10-20/SC/SQ	阻捻头磁铁垫圈
57	10400808	Magnet washer AL 1,5 SE 10-20/SC/SQ	Magnet Scheibe AL 1,5 SE 10-20/SC/SQ	Iman arandela AL 1,5 SE 10-20/SC/SQ	Magneto disco AL 1,5 SE 10-20/SC/SQ	Aluminyun Navel için mıknatıslı pul 1,5 SE 10-20/SC/SQ	铝阻捻头磁铁垫圈
60	956.8773	Valve bush SE 10	Ventilbuchse SE 10	Manguito/válvula SE 10	Bucha da válvula SE 10	Valf burcu SE 10	阀门步司
61	956.7869	Tension ring	Spanning	Anillo tensor	Anel tensor	Baskı bileziği	固紧环
62	956.8775	Valve spring SE 10	Ventilfeder SE 10	Muelle de válvula SE10	Mola de válvula SE 10	Valf yayı SE 10	阀门弹簧片
63	10258883	Ball 4.762-G5-0	Kugel 4.762-G5-0	Bola 4.762-G5-0	Esfera 4.762-G5-0	Bilya 4.762-G5-0	钢珠
64	956.7971	Sealing ring	Dichtring	Anillo de junta	Anel de vedação	Sızdırmaz conta	密封环
65	956.8772	Angle connection SE 10	Winkelanschluß SE 10	Conexión con codos SE10	Fechadura do Tubo	Köşebent bağlantısı SE 10	连接软管
66	957.4229	Connecting hose SE 10	Verbindungsschlauch SE 10	Manguera de empalme SE 10	Mangueira de ligação SE 10	Bağlantı hortumu SE 10	六角螺钉
70	10259080	Hex. screw M6x16	6kt-Schraube M6x16	Tornillo hex M6x16	Parafuso sextavado M6x16	Altı köşe başlı civata M6x16	垫圈
71	10354210	Washer 6.4-St-140HV	Scheibe 6.4-St-140HV	Arandela 6.4-St-140HV	Disco 6.4-St-140HV	Pul 6.4-St-100HV	角铁
72	957.5074	Angle SE10	Winkel SE10	Angulo SE10	Angulo SE10	Bağlama elemanı SE 10	角铁

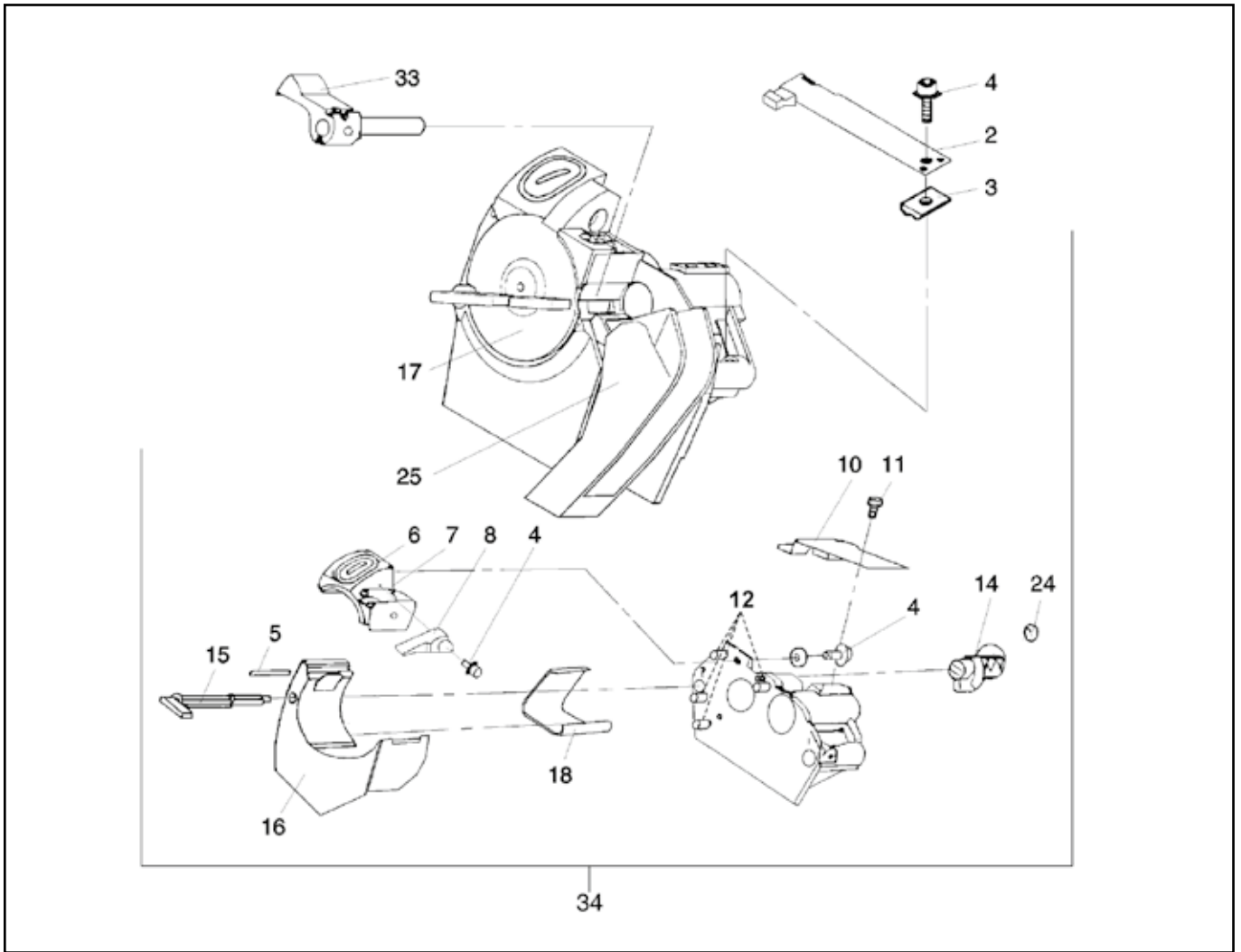


# Opening Assembly Housing / Schwenkgehäuse / Cajilla oscilante / Caixa giratória / Açıcı Ünitesi Yuvası / 分梳套件箱

Pos.	Order No.*	Description	Beschreibung	Descripción	Descrição	Açıklama	名称
2	956.7373	Weighting spring complete SE10	Belastungsfeder komplett SE10	Muelle de presión completo SE10	Mola tensora completo SE10	Baskı Yayı komple SE 10	加压弹簧片
3	956.7733	Pressure piece SE10	Druckstück SE10	Pieza de presión SE10	Peça de pressão SE10	Baskı Parçası SE 10	压力块
4	289.2546	Cyl. screw M5 x 16	Zyl. Schraube M5 x 16	Tornillo cil. M5 x 16	Parafuso de cabeça cilindr. M5 x 16	Silindirik vida M5 x 16	内六角螺钉
5	956.9069	Sealing profile SE 10	Runddichtschnur SE 10	Perfil de obturación SE 10	Cordão redondo de vedação SE 10	Conta profili SE 10	密封条
6	952.6756	Sealing ring fibre channel SE 7-10/SQ	Dichtring Faserkanal SE 7-10/SQ	Anillo de junta canal de fibras SE 7-10/SQ	Anel de vedação canal das fibras SE 7-10/SQ	Sızdırmaz bilezik elyaf kanalı SE 7-10/SQ	纤维通道密封环
7 <sup>1</sup>	958.6892	Fibre channel complete SE 10	Faserkanal komplett SE 10	Canal de fibras completo SE 10	Canal das fibras completo SE 10	Elyaf kanalı komple SE 10	纤维通道 整件
8	957.7507	Sliding piece SE 10	Gleitstück SE 10	Pieza de deslizamiento SE 10	Peça de deslize SE 10	Kayıcı parça SE 10	滑块
10	954.0911	Brake spring	Bremsefeder	Muelle de freno	Mola do freio	Fren yayı	分梳刹车弹簧
11	201.0449	Hex. screw M5x7	6kt-Schraube M5x7	Tornillo hex M5x7	Parafuso sextavado M5x7	Altı köşe başlı civata M5x7	六角螺钉
12	10258863	Cylindrical pin 4m6x8	Zylinderstift 4m6x8	Barrita de cilindro 4m6x8	Pino cilíndrico 4m6x8	Silindirik pim 4m6x8	圆柱型销子
14	953.9247	Eccentric	Exzenter	Excéntrico	Excêntrico	Kam	凸轮
15	956.7371	Locking lever SE 10	Klemmhebel SE 10	Palanca de bloqueo SE 10	Alavanca de aperto SE 10	Kilitleme kolu SE 10	紧固手柄
16	957.5171	Cover housing polished SE 10	Deckelgehäuse poliert SE 10	Caja de cubierta pulido SE 10	Caixa da tampa polido SE 10	Kapak yuvası parlatılmış SE 10	盖盒 抛光
17	957.6367	Cover plate SE 10	Abdeckplatte SE 10	Placa de cubierta SE 10	Placa de cobertura SE 10	Kapak levhası SE 10	盖板
18	957.9161	Guard plate SE10	Schutzblech SE10	Chapa de protección SE10	Chapa de protecção SE10	Koruyucu Levha SE 10	盖子金属片
24	10258869	Locking disc 5	Sicherungsscheibe 5	Disco de seguro 5	Anilha de aperto 5	Kilitleme rondelasi 5	卡簧
25	957.8353	Condenser SE 10/SQ	Verdichter SE 10/SQ	Condensador SE 10/SQ	Condensador SE 10/SQ	Şerit rehberi SE 10/SQ	集束器
33	957.4684	Feed tray SE 10	Speisemulde cr. SE 10	Mesa de alimentación SE10	Mesa de alimentação SE 10	Besleme Tablası SE 10	饲料盘套件
34 <sup>2</sup>	957.5177	Opening unit complete D25 SE 10	Öffnereinheit komplett D25 SE 10	Unidad de apertura completo D25 SE 10	Unidade de abertura completo D25 SE 10	Komple Açıcı ünitesi yuvası D25 SE 10	分梳套件箱组合

<sup>1</sup> incl./包括序号 Pos. 4, 6, 8 /dahil

<sup>2</sup> incl./包括序号 Pos. 2-17, 24-33 /dahil

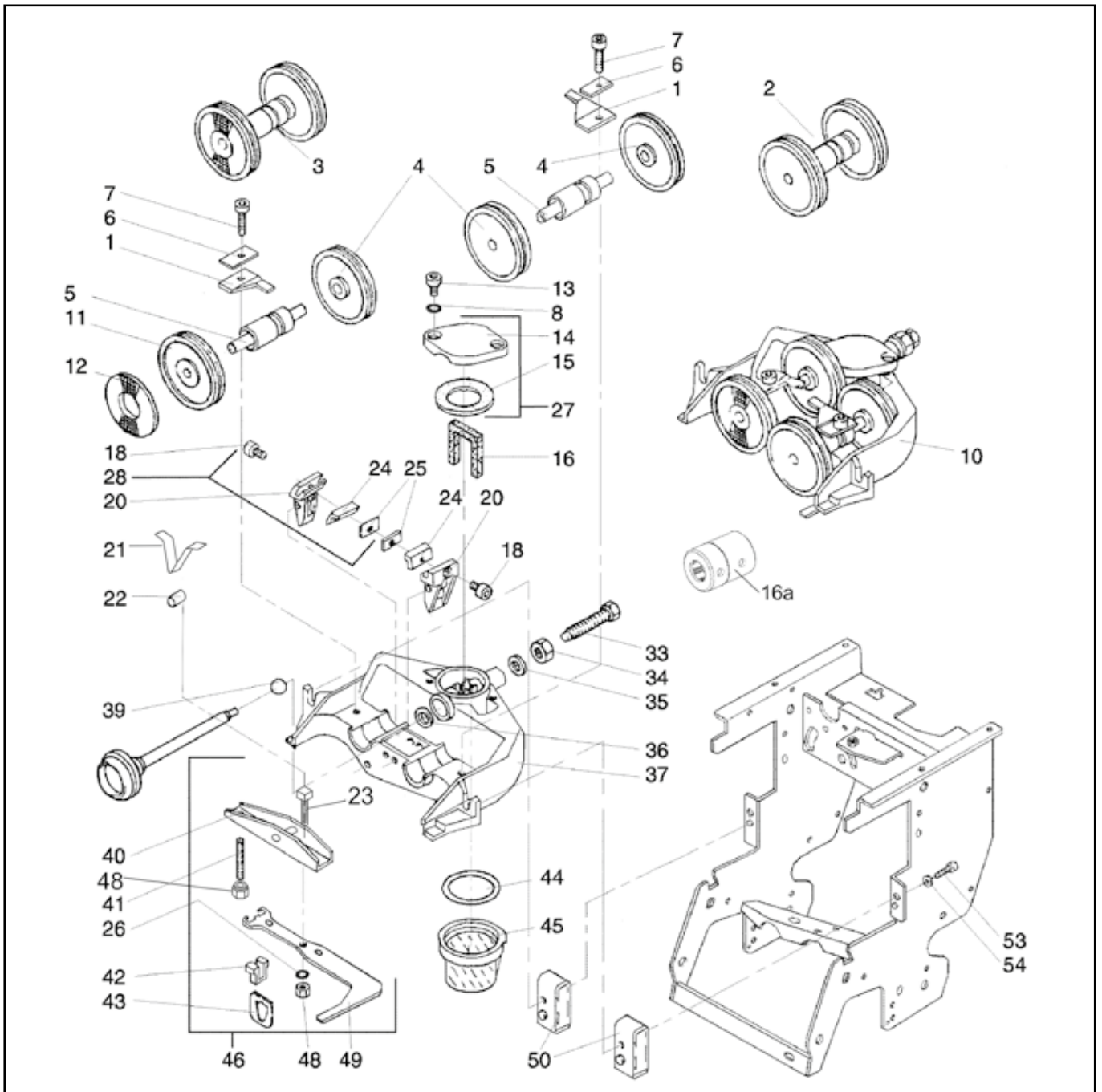


# TwinDisc Bearing / TwinDisc-Lager / Cojinete TwinDisc

## Mancal TwinDisc / TwinDisc yatağı / 双支撑轮轴承

Pos.	Order No.*	Description	Beschreibung	Descripción	Descrição	Açıklama	名称
1	954.1465	Retaining spring	Haltefeder	Resorte de retencion	Mola de fixação	Tutucu yay	固定弹簧
2	10403973	TwinDisc roll N SE 9-12/SC/SQ9 with 2 Cooling Grooves	TwinDisc Rolle N SE 9-12/SC/SQ9 mit 2 Kühlnuten	TwinDisc rodillo N SE 9-12/SC/SQ9 con 2 ranuras de refrigeración	TwinDisc rolo N SE 9-12/SC/SQ9 com 2 ranhuras de refrigeração	TwinDisc yatak N SE 9-12/SC/SQ9 ve 2 soğutma kanallı	带轴承的双普通 支撑轮组件
3	10589715	TwinDisc roll R SE 9-12/SC/SQ9 with 2 cooling grooves	TwinDisc Rolle R SE 9-12/SC/SQ9 mit 2 Kühlnuten	TwinDisc rodillo R SE 9-12/SC/SQ9 con 2 ranuras de refrigeración	TwinDisc rolo R SE 9-12/SC/SQ9 com 2 ranhuras de refrigeração	TwinDisc yatak R SE 9-12/SC/SQ9 ve 2 soğutma kanallı	带轴承的反光片 式加普通式支撑 轮组件
3a	10492491	TwinDisc roll L SE 9-12/SC/SQ9 with 2 cooling grooves	TwinDisc Rolle L SE 9-12/SC/SQ9 mit 2 Kühlnuten	TwinDisc rodillo L SE 9-12/SC/SQ9 con 2 ranuras de refrigeración	TwinDisc rolo L SE 9-12/SC/SQ9 com 2 ranhuras de refrigeração	TwinDisc yatak L SE 9-12/SC/SQ9 ve 2 soğutma kanallı	双冷却槽激光L型 支撑轮
4	958.6843	TwinDisc N SE 9-12/SC/SQ9 with 2 cooling grooves	TwinDisc N SE 9-12/SC/SQ9 mit 2 Kühlnuten	TwinDisc N SE 9-12/SC/SQ9 con 2 ranuras de refrigeración	TwinDisc N SE 9-12/SC/SQ9 com 2 ranhuras de refrigeração	TwinDisc N SE 9-12/SC/SQ9 ve 2 soğutma kanallı	双冷却槽普通N型 支撑轮
5	11084115	TwinDisc bearing SE 9-12/SC/SQ9	TwinDisc Lager SE 9-12/SC/SQ9	TwinDisc cojinete SE 9-12/SC/SQ9	TwinDisc mancal SE 9-12/SC/SQ9	TwinDisc rulmanı SE 9-12/SC/SQ9	TwinDisc 支撑 盘轴承
6	954.6228	Plate	Platte	Placa	Placa	Plaka	板
7	10258826	Cyl. screw M6x18	Zyl. Schraube M6x18	Tornillo cil. M6x18	Parafuso de cabeça cilindr. M6x18	Silindirik vida M6x18	内六角螺钉
8	10259678	Washer 6.4-St-200HV	Scheibe 6.4-St-200HV	Arandela 6.4-St-200HV	Disco 6.4-St-200HV	Pul 6.4-St-100HV	垫圈
10	958.6910	TwinDisc bearing unit SE9/SE10 hybrid with TwinDisc roll R/N with 2 Cooling Grooves	TwinDisc Lagereinheit SE9/SE10 hybrid mit TwinDisc Rolle R/N mit 2 Kühlnuten	TwinDisc unidad de cojinete SE9/SE10 híbrida con rodillo TwinDisc R/N con 2 ranuras de refrigeración	TwinDisc mancal SE9/ SE10 híbrido com rolo TwinDisc R/N com 2 ranhuras de refrigeração	TwinDisc yataklama ünitesi SE9/SE10 hibrid ve 2 soğutma kanallı ve rulmanlı TwinDisc R/N ile modernizasyonu	纺杯轴承套件
10a	958.6398	Thrust bearing modernization with <b>ProFIL</b> ®Cartridge and TwinDisc roll R/N with 2 Cooling Grooves	Spurlagermodernisierung mit <b>ProFIL</b> ®Cartridge und TwinDisc Rolle R/N mit 2 Kühlnuten	Modernización de carril guía con <b>ProFIL</b> ®Cartridge y rodillo TwinDisc R/N con 2 ranuras de refrigeración	Modernização do mancal vertical com <b>ProFIL</b> ®Cartridge e rolo TwinDisc R/N com 2 ranhuras de refrigeração	TwinDisc yatağı ünitesinin <b>ProFIL</b> ®Cartridge ve 2 soğutma kanallı ve rulmanlı TwinDisc R/N ile modernizasyonu	双盘支撑轮轴 承套件改造(含 <b>ProFIL</b> ®纺杯轴承 和支撑轮片套件)
11	958.6844	TwinDisc R SE 9-12/SC/SQ9 with 2 cooling grooves	TwinDisc R SE 9-12/SC/SQ9 mit 2 Kühlnuten	TwinDisc R SE 9-12/SC/SQ9 con 2 ranuras de refrigeración	TwinDisc R SE 9-12/SC/SQ9 com 2 ranhuras de refrigeração	TwinDisc R SE 9-12/SC/SQ9 ve 2 soğutma kanallı	双冷却槽反光片 式R型支撑轮
11a	10447546	TwinDisc L SE 9-12/SC/SQ9 with 2 cooling grooves	TwinDisc L SE 9-12/SC/SQ9 mit 2 Kühlnuten	TwinDisc L SE 9-12/SC/SQ9 con 2 ranuras de refrigeración	TwinDisc L SE 9-12/SC/SQ9 com 2 ranhuras de refrigeração	TwinDisc L SE 9-12/SC/SQ9 ve 2 soğutma kanallı	支撑轮片L
12	10147672	<b>ProFIL</b> ®Reflector SE 7-12/SC/SQ	<b>ProFIL</b> ®Reflektor SE 7-12/ SC/SQ	<b>ProFIL</b> ®reflector SE 7-12/ SC/SQ	<b>ProFIL</b> ®refletor SE 7-12/ SC/SQ	<b>ProFIL</b> ®Reflektör SE 7-12/SC/SQ	<b>ProFIL</b> ® 红色反 光片
13	10258825	Cyl. screw M6x12	Zyl. Schraube M6x12	Tornillo cil. M6x12	Parafuso de cabeça cilindr. M6x12	Silindirik vida M6x12	内六角螺钉
14	957.0297	Lid thrust-bearing housing SE 9/10/SC/ SQ9	Deckel Spurlagergehäuse SE 9/10/SC/SQ9	Chapa carcasa de la quicio- nera SE 9/10/SC/SQ9	Tampa caixa de mancal de apoio SE 9/10/SC/SQ9	Dip yatağı muhafazası kapağı SE 9/10/SC/SQ9	止推轴承 外盖
15	956.8196	Sealing ring SE 9/10	Dichtring SE 9/10	Anillo de junta SE 9/10	Anel de vedação SE 9/10	Sızdırmaz conta SE 9/10	密封环
16	956.2594	Oil felt saturated SE 8-10 24 pcs.	Öl-Filz getränkt SE 8-10 24 St.	Filtro impregnado SE 8-10 24 pzs.	Feltro impregnado SE 8-10 24 pcs.	Yağ keçesi doygun SE 8-10 24 adet	油毡条,每盒24件
16a	10324795	<b>ProFIL</b> ®Cartridge SE 9/10/SC/SQ9 packing unit 24 pcs.	<b>ProFIL</b> ®Cartridge SE 9/10/SC/SQ9 Verpackungseinheit 24 St.	<b>ProFIL</b> ®Cartridge SE 9/10/SC/SQ9 unidad the embalaje 24 pzs.	<b>ProFIL</b> ®Cartridge SE 9/10/SC/SQ9 unidade de embalagem 24 pcs.	<b>ProFIL</b> ®Cartridge SE 7/8/SQ8 (24 adet)	<b>ProFIL</b> ®纺杯尾部 黄油止推轴承底 座每盒24件
18	10258837	Oval head screw M5x12	Linsenschraube M5x12	Tornillo con cabeza de vaso M5x12	Parafuso de cab.lenticular M5x12	Yassı başlı vida M5x12	半圆头螺栓
20	10639874	Brake lever	Bremshebel	Palanca de freno	Alavanca de travão	Fren kolu	制动杆
21	953.8698	Return spring	Rückstellfeder	Resorte de devolución	Mola de retorno	Dönüş yayı	张力弹簧片
22	954.1937	Roll SE 9-10/SC/SQ9	Rolle SE 9-10/SC/SQ9	Rodillo SE 9-10/SC/SQ9	Rolo SE 9-10/SC/SQ9	Makara SE 9-10/SC/SQ9	滚动块
23	954.1936	Stud 4 Kt	Bolzen 4 Kt	Perno 4 Kt	Pino 4 Kt	Saplama 4 kt	方头销子
24	10386594	<b>ProFIL</b> ®Brake pad SE 9-12/SC/SQ9	<b>ProFIL</b> ®Bremsklotz SE 9-12/SC/SQ9	<b>ProFIL</b> ®Zapata de freno SE 9-12/SC/SQ9	<b>ProFIL</b> ®Sapata do freio SE 9-12/SC/SQ9	Fren balatası <b>ProFIL</b> ® SE 9-12/SC/SQ9	<b>ProFIL</b> ®刹车片
25	953.9587	Thin nut SE 9-12/SC/ SQ9	Flachmutter SE 9-12/ SC/SQ9	Tuerca cuadrada SE 9-12/ SC/SQ9	Porca quadrada SE 9-12/ SC/SQ9	İnce somun SE 9-12/ SC/SQ9	方形螺母
26	10258881	Cup spring 12/5.2x0.6	Tellerfeder 12/5.2x0.6	Resorte de plato 12/5.2x0.6	Mola plato 12/5.2x0.6	Tabla yayı 12/5.2x0.6	盘形弹簧
27 <sup>1</sup>	957.4757	Thrust-bearing housing lid complete	Spurlagergehäuse Deckel komplett	Carcasa de la quicionera chapa completa	Caixa de mancal de apoio tampa completa	Dip yatak kapağı komple	踏板轴承箱 盖子

<sup>1</sup> incl./包括序号 Pos. 14-15 /dahil



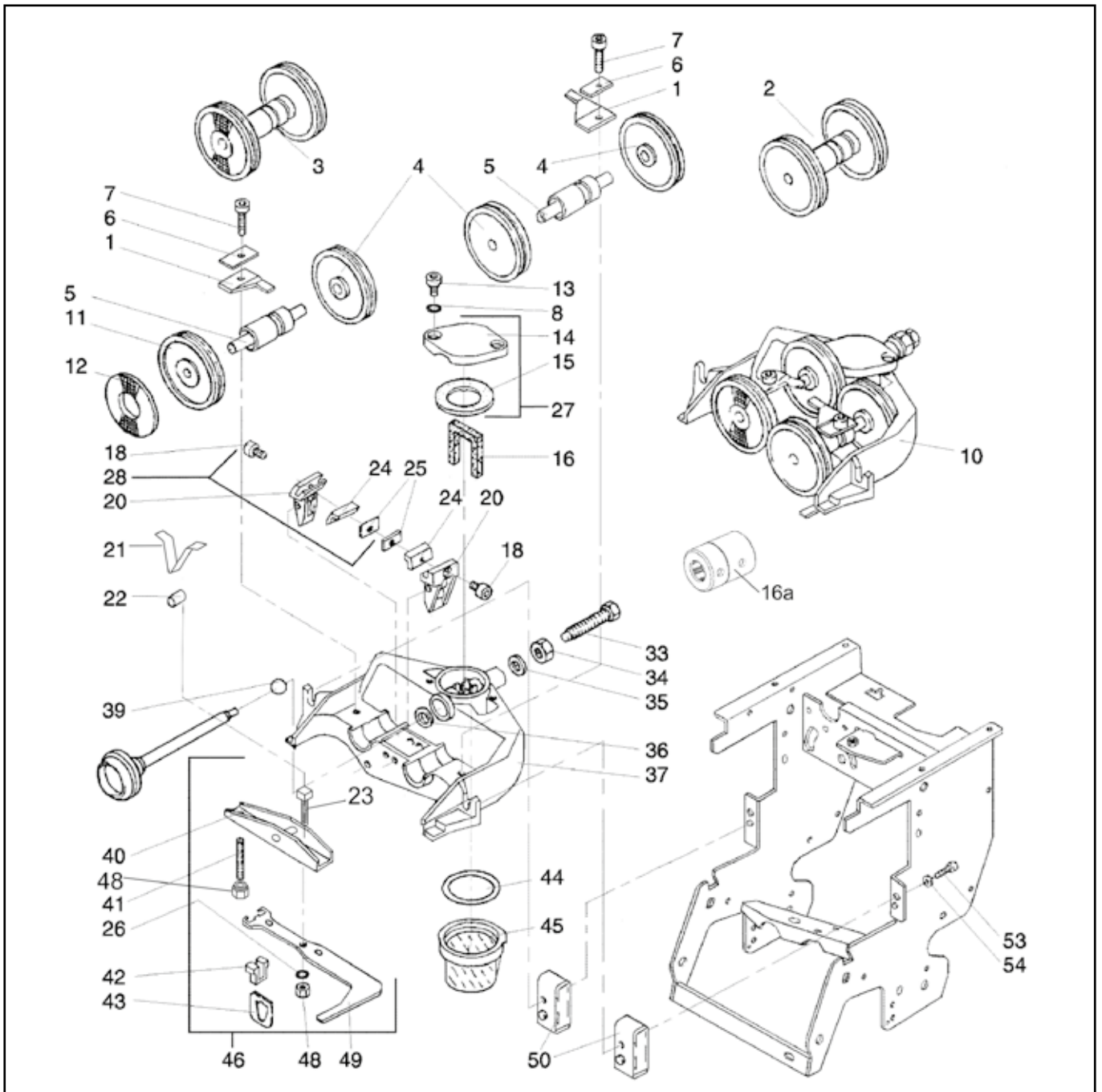
# TwinDisc Bearing / TwinDisc-Lager / Cojinete TwinDisc Mancal TwinDisc / TwinDisc yatağı / 双支撑轮轴承

Pos.	Order No.*	Description	Beschreibung	Descripción	Descrição	Açıklama	名称
28 <sup>2</sup>	11011281	Brake lever complete	Bremshebel komplett	Palanca de freno completo	Alavanca de travão compl.	Komple fren kolu	轴承杆套件
33	10455566	Setscrew SE 9/10/SC/SQ 9	Stellschraube SE 9/10/SC/SQ 9	Tornillo de ajuste SE 9/10/SC/SQ 9	Parafuso de ajuste SE 9/10/SC/SQ 9	Ayar vidasi	校准螺栓
34	10258846	Hexagon nut M10x1-6	6kt-Mutter M10x1-6	Tuerca hexagonal M10x1-6	Porca sextavada M10x1-6	Altı köşe somun M10x1-6	六角头螺母
35	10258851	Washer 10.5-St-140HV	Scheibe 10.5-St-140HV	Arandela 10.5-St-140HV	Disco 10.5-St-140HV	Pul 10.5-St-140HV	垫圈
36	956.1867	Thrust-bearing seal SE 9/10	Spurlagerdichtung SE 9/10	Junta grapaldina SE 9/10	Junta do mancal vertical SE 9/10	Dip yatağı contası SE9/10	止推轴承密封套件
36a	953.4408	Sealing ring SE 9/10 Thrust-bearing seal	Dichtring SE 9/10 Spurlagerdichtung	Anillo de junta SE 9/10 Junta grapaldina	Anel de vedação SE 9/10 Junta do rotor	Sızdırmaz conta SE 9/10 yataklama contası	止推轴承密封套件
37	955.9315	Bearing unit	Lagereinheit	Unidad de cojinete	Mancal	Yataklama ünitesi	轴承单元
39	247.0382	Ball 12 mm SE 7-10	Kugel 12 mm SE 7-10	Bola 12 mm SE 7-10	Esfera 12 mm SE 7-10	Bilya 12 mm SE 7-10	托盘轴承组合件
40	954.5970	Rocking arm complete	Kipphebel komplett	Palanca volteadora completo	Alavanca para tombar completo	Komple eğme grubu	斜面杆
41	10258842	Threaded pin M5x20-45H	Gewindestift M5x20-45H	Perno roscado M5x20-45H	Pino roscado M5x20-45H	Dişli pim M5x20-45H	螺钉
42	955.4221	Hang up part SE 9-12/SC/SQ9	Einhängeteil SE 9-12/SC/SQ9	Pieza de suspensión SE 9-12/SC/SQ9	Peça de suspensão SE 9-12/SC/SQ9	Asma parça SE 9-12/SC/SQ9	连接块
43	953.6213	Hang up ring SE 9-12/SC/SQ9	Einhängering SE 9-12/SC/SQ9	Anillo de suspensión SE 9-12/SC/SQ9	Anel de suspensão SE 9-12/SC/SQ9	Asma halka SE 9-12/SC/SQ9	挂钩
44	956.8196	Sealing ring SE 9/10	Dichtring SE 9/10	Anillo de junta SE 9/10	Anel de vedação SE 9/10	Sızdırmaz conta SE 9/10	密封环
45	953.3767	Oil container SE 9/10	Ölbehälter SE 9/10	Depósito de aceite SE 9/10	Recipiente de óleo SE 9/10	Yağ haznesi SE 9/10	油杯
46 <sup>3</sup>	958.4900	Rocking arm complete	Kipphebel komplett	Palanca volteadora completo	Alavanca para tombar completo	Komple eğme grubu	斜面杆套件
48	10258845	Hexagon nut M5-8	6kt-Mutter M5-8	Tuerca hexagonal M5-8	Porca sextavada M5-8	Altı köşe somun M5-8	六角头螺母
49	957.7527	Brake spring	Bremsfeder	Muelle de freno	Mola do freio	Fren yayı	分梳刹车弹簧
50	954.0234	ShockAbsorber compl.	ShockAbsorber komplett	ShockAbsorber completo	ShockAbsorber completo	Komple şok emici	卷装减震器
53	10258830	Cyl. screw M6x10	Zyl. Schraube M6x10	Tornillo cil. M6x10 M 6 x 10	Parafuso de cabeça cilindr. M6x10 M 6 x 10	Silindirik vida M6X10	内六角螺钉
54	10258854	Washer 6.4-St-100HV	Scheibe 6.4-St-100HV	Arandela 6.4-St-100HV	Disco 6.4-St-100HV	Pul 6.4-St-100HV	垫圈

<sup>2</sup> incl./包括序号 Pos. 18, 20, 24, 25 /dahil

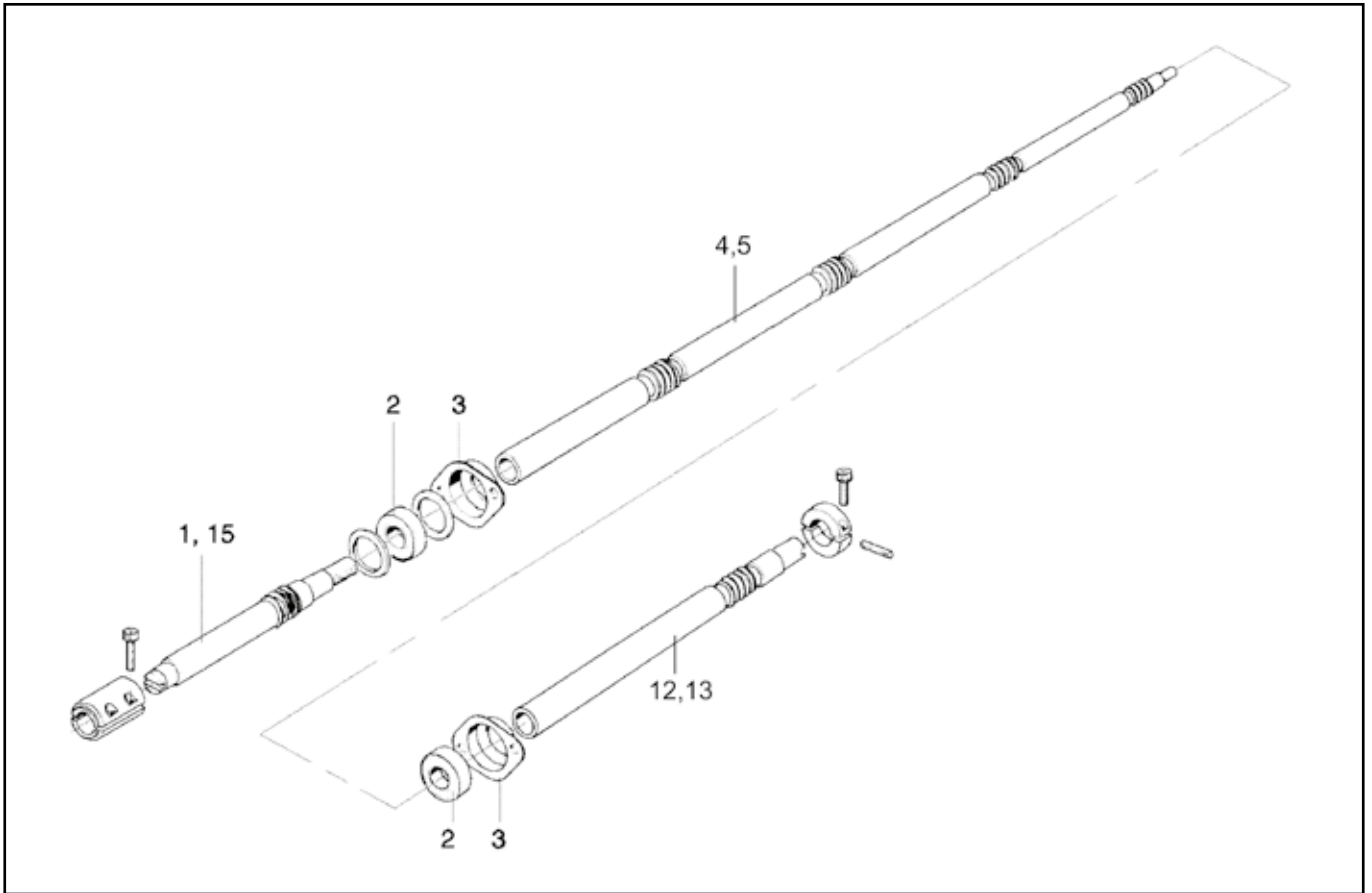
<sup>3</sup> incl./包括序号 Pos. 23, 26, 40-43, 48, 49 /dahil





Worm gear shaft / Schneckenwelle / Arbol de tornillo sin fin  
 Veio de sem-fins / Sonsuz Vida Dişlisi Mili / 蜗轮轴

Pos.	Order No.*	Description	Beschreibung	Descripción	Descrição	Açıklama	名称
1	952.9711	Worm shaft A/R SE 8-10	Schneckenwelle A/R SE 8-10	Arbol de sinfin A/R SE 8-10	Eixo do caracol A/R SE 8-10	Mil sağ bölümü, başlangıç A/R SE 8-10	轴节, 右手, 起始段
2	247.0365	Deep-groove ball bearing 20/42x12-6004-2	Ri.Kugellager 20/42x12-6004-2Z-C4	Cojinete de bolas aca-nalad. 20/42x12-600	Rolamento d.esferas ranhura 20/42x12-600	Yivli bilyalı yatak 20/42x12-6004-2	有槽滚珠轴承
3	958.2096	Flange SE 7-10/SC	Flansch SE 7-10/SC	Brida SE 7-10/SC	Flange SE 7-10/SC	Flanş SE 7-10/SC	法兰
4	952.9712	Worm shaft M/R SE 8-10	Schneckenwelle M/R SE 8-10	Arbol de sinfin M/R SE 8-10	Eixo do caracol M/R SE 8-10	Mil sağ bölümü, merkez M/L SE 8-10	轴节, 右手, 末段
5	952.9716	Worm shaft M/L SE 8-10	Schneckenwelle M/L SE 8-10	Arbol de sinfin M/L SE 8-10	Eixo do caracol M/L SE 8-10	Mil sol bölümü, merkez M/L SE 8-10	轴节, 左手, 末段
12	952.9713	Worm shaft E/R SE 8-10	Schneckenwelle E/R SE 8-10	Arbol de sinfin E/R SE 8-10	Eixo do caracol E/R SE 8-10	Mil sağ bölümü, son E/R SE 8-10	轴节, 右手, 末段
13	952.9717	Worm shaft E/L SE 8-10	Schneckenwelle E/L SE 8-10	Arbol de sinfin E/L SE 8-10	Eixo do caracol E/L SE 8-10	Mil sol bölümü, son E/L SE 8-10	轴节, 左手, 末段
15	952.9715	Worm shaft A/L SE 8-10	Schneckenwelle A/L SE 8-10	Arbol de sinfin A/L SE 8-10	Eixo do caracol A/L SE 8-10	Mil sol bölümü, başlangıç A/L SE 8-10	轴节, 左手, 起始段

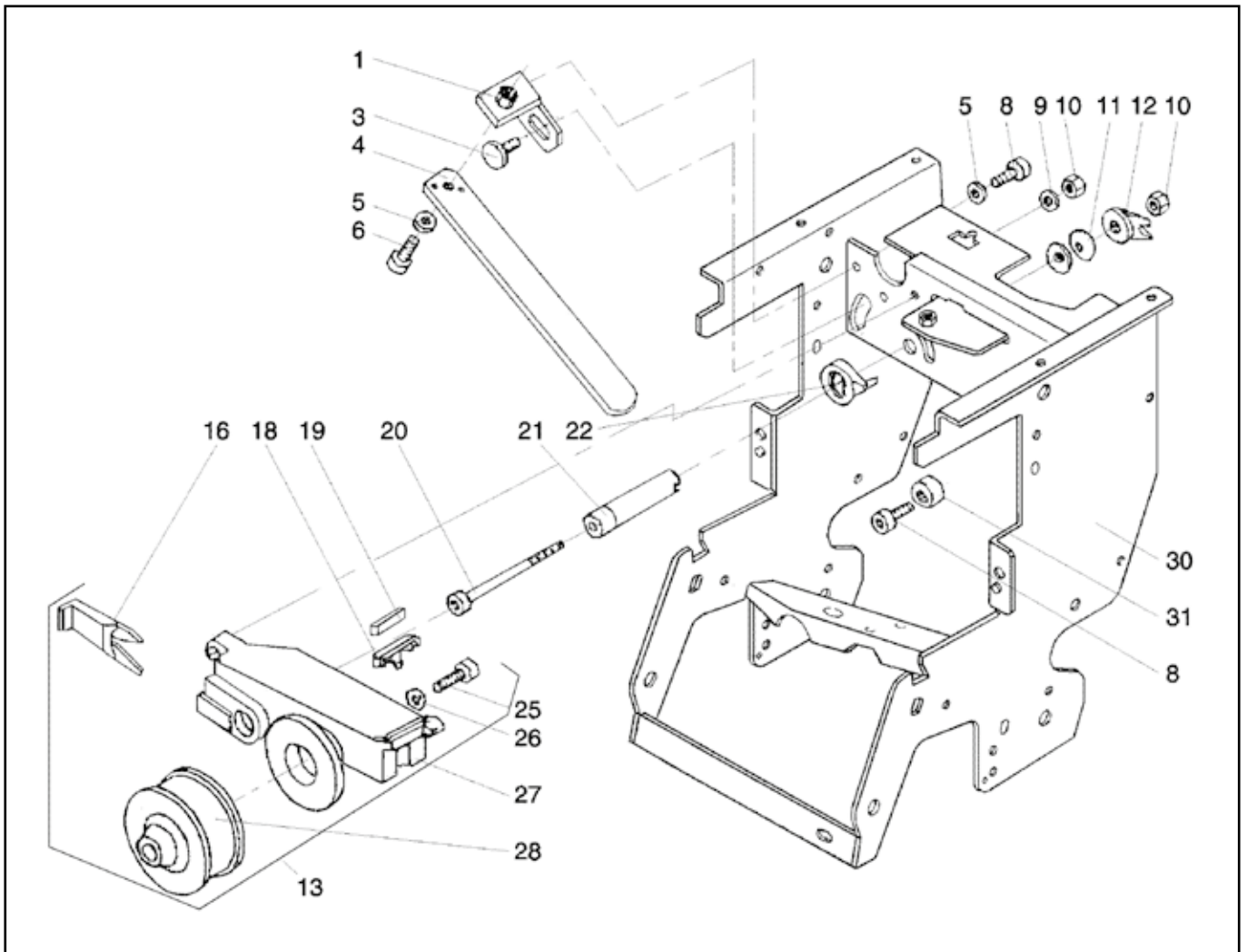


Tension roller suspension / Spannrollengehänge /  
 Colgador de rodillo tensor /  
 Suspensor de rolos tensores / Temas Silindiri Grubu / 压辊固定架

Pos.	Order No.*	Description	Beschreibung	Descripción	Descrição	Açıklama	名称
1	954.1450	Angle	Winkel	Angulo	Angulo	Bağlama elemanı	角铁
3	953.5663	Eccenter bolt	Exzenterbolzen	Perno excéntrico	Pino excêntrico	Kam pimi	销子
4	10656672	Energy saving flat spring	Energiespar Blattfeder	Resorte de hoja a bajo consumo de energía	Mola de lamina poupança de energia	Enerji tasarruflu yaprak yay	板簧0.8毫米
5	10258849	Washer 5.3-St-140HV	Scheibe 5.3-St-140HV	Arandela 5.3-St-140HV	Disco 5.3-St-140HV	Pul 5.3-St-100HV	垫圈
6	10258840	Hex. screw M5x10	6kt-Schraube M5x10	Tornillo hex M5x10	Parafuso sextavado M5x10	Altı köşe başlı civata M5x10	六角螺钉
8	10258824	Cyl. screw M5x10	Zyl. Schraube M5x10	Tornillo cil. M5x10	Parafuso de cabeça cilindr. M5x10	Silindirik vida M5x10	内六角螺钉
9	10258850	Washer 6.4-St-140HV	Scheibe 6.4-St-140HV	Arandela 6.4-St-140HV	Disco 6.4-St-140HV	Pul 6.4-St-100HV	垫圈
10	10258844	Hexagon nut M6-8	6kt-Mutter M6-8	Tuerca hexagonal M6-8	Porca sextavada M6-8	Altı köşe somun M6-8	六角头螺母
11	10258882	Cup spring 18/6.2x0.8	Tellerfeder 18/6.2x0.8	Resorte de plato 18/6.2x0.8	Mola prato 18/6.2x0.8	Tabla yayı 18/6.2x0.8	盘形弹簧
12	953.8695	Nut	Mutter	Tuerca	Porca	Somun	螺母
13 <sup>1</sup>	10235116	Tension roller suspension	Spannrollengehänge	Colgador de rodillo tensor	Suspensor de rolos tensores	Süspaniyonlu komple baskı makarası	压辊固定架
16	953.3765	Safety lever SE9/10/SC/SQ9	Sicherungshebel SE9/10/SC/SQ9	Palanca de seguro SE9/10/SC/SQ9	Alavanca de segurança SE9/10/SC/SQ9	Emniyet kolu SE9/10/SC/SQ9	锁叉
18	953.4403	Pressure piece SE 9-12/SC	Druckstück SE 9-12/SC	Pieza de presión SE 9-12/SC	Peça de pressão SE 9-12/SC	Baskı parçası SE 9-12/SC	压力块
19	953.5569	Compensating piece red 5 mm SE 9-12/SC/SQ9	Ausgleichsstück rot 5 mm SE 9-12/SC/SQ9	Pieza de compensacion rojo 5 mm SE 9-12/SC/SQ9	Peça de compensação vermelho 5 mm SE 9-12/SC/SQ9	Dengeleme parçası, kırmızı 5 mm SE 9-12/SC/SQ9	补偿块 红色
19	954.8617	Compensating piece green 7 mm SE 9-12/SC/SQ9	Ausgleichsstück grün 7 mm SE 9-12/SC/SQ9	Pieza de compensacion verde 7 mm SE 9-12/SC/SQ9	Peça de compensação verde 7 mm SE 9-12/SC/SQ9	Dengeleme parçası, yeşil 7 mm SE 9-12/SC/SQ9	补偿块 绿色
20	10258827	Cyl. screw M6x80	Zyl. Schraube M6x80	Tornillo cil. M6x80	Parafuso de cabeça cilindr. M6x80	Silindirik vida M6x80	内六角螺钉
21	953.8402	Stud	Bolzen	Perno	Pino	Saplama	销
22	954.1326	Off-center lever SE 9	Taumlhebel SE 9	Palanca oscilante SE 9	Alavanca oscilante SE 9	Yalpalama kolu SE 9	偏心杆
25	10258828	Cyl. screw M6x16	Zyl. Schraube M6x16	Tornillo cil. M6x16	Parafuso de cabeça cilindr. M6x16	Silindirik vida M6x16	内六角螺钉
26	10258880	Cup spring 15/6.2x0.6	Tellerfeder 15/6.2x0.6	Resorte de plato 15/6.2x0.6	Mola prato 15/6.2x0.6	Tabla yayı 12/5.2x0.6	盘形弹簧
27 <sup>2</sup>	958.0222	Tension roller holder complete	Spannrollenhalter komplett	Colgador de rodillo tensor completo	Suspensor de rolo tensor completo	Temas kasnağı tutucusu, komple	压辊U形夹
28	10558493	Tension roller SE 9-12 / SQ 9	Spannrolle SE 9-12 / SQ 9	Rodillo tensor SE 9-12 / SQ 9	Rolo tensor SE 9-12 / SQ 9	Baskı makarası SE 9-12 / SQ 9	分梳龙带导轮
30	956.7977	Frame SE 10	Rahmen SE 10	Marco SE 10	Batente SE 10	SE 10 gövdesi	纺纱箱机架
31	955.0397	Eccentric - stop	Exzenter - Anschlag	Excéntrico - tope	Excêntrico - encosto	Kam durdurucusu	凸轮挡块

<sup>1</sup> incl./包括序号 Pos. 16, 18, 25-28 /dahil

<sup>2</sup> incl./包括序号 Pos. 16, 18 /dahil



For your notes / Für Ihre Notizen / Para sus noticias /  
Para as suas anotações / Notlarınız için / 您的笔记



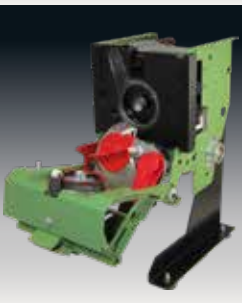
SE 8



SE 9



SE 10



Suessen is built on a solid foundation. In conjunction with the sister companies, Bräcker, Graf, Novibra, and SSM, Suessen is securely embedded in the network of total solution and application expertise in yarn processing.

Bräcker [www.bracker.ch](http://www.bracker.ch)  
Graf [www.graf.ch](http://www.graf.ch)  
Novibra [www.novibra.cz](http://www.novibra.cz)  
SSM [www.ssm.ch](http://www.ssm.ch)

#### Spindelfabrik Suessen GmbH

Donzdorfer Straße 4  
73079 Süssen  
Germany  
Phone +49 7162 15-0  
Fax +49 7162 15-367  
[mail@suessen.com](mailto:mail@suessen.com)

#### American Suessen Corporation

P.O. Box 7147  
Charlotte NC 28241  
USA  
Phone +1 704 588 2365  
Fax +1 704 588 3945  
[asc@americansuessen.com](mailto:asc@americansuessen.com)

#### 绪森中国

欧专纺机配件（常州）有限公司  
213002 江苏省常州市新北区河海西路390号  
电话:+86 519-8519 2366  
邮箱: [info@rco-changzhou.com](mailto:info@rco-changzhou.com)

[www.suessen.com](http://www.suessen.com)

